



Vehicle History Report™

US \$44.99

2005 HONDA CR-V EX

VIN: SHSRD78865U308189
4 DOOR WAGON/SPORT UTILITY
2.4L I4 F DOHC
GASOLINE
ALL WHEEL DRIVE

Accident reported

4 Service history records

At least 1 open recall

2 Previous owners

Types of owners: Personal lease, Personal

68,664 Last reported odometer reading



Ownership History

The number of owners is estimated

Owner 1

Owner 2

Year purchased

2004

2019

Type of owner

Personal lease

Personal

Estimated length of ownership

14 yrs. 7 mo.

4 yrs. 6 mo.

Owned in the following states/provinces

Minnesota

Minnesota

Estimated miles driven per year

Last reported odometer reading

63,229

68,664



Title History

CARFAX guarantees the information in this section

Owner 1

Owner 2

Damage Brands

Salvage | Junk | Rebuilt | Fire | Flood | Hail | Lemon

Guaranteed
No Problem

Guaranteed
No Problem

Odometer Brands

Not Actual Mileage | Exceeds Mechanical Limits

Guaranteed
No Problem

Guaranteed
No Problem



Additional History

Not all accidents / issues are reported to CARFAX

Owner 1

Owner 2

Total Loss

No total loss reported to CARFAX.

No Issues
Reported

No Issues
Reported

Structural Damage

CARFAX recommends that you have this vehicle inspected by a collision

No Issues
Reported

No Issues
Reported

repair specialist.		
Airbag Deployment No airbag deployment reported to CARFAX.	✓ No Issues Reported	✓ No Issues Reported
Odometer Check No indication of an odometer rollback.	✓ No Issues Indicated	✓ No Issues Indicated
Accident / Damage Accidents reported: 05/22/2006 and 04/18/2019.	Accident Reported	No New Issues Reported
Manufacturer Recall At least 1 manufacturer recall requires service. Locate an authorized Honda dealer to obtain more information about this recall.	✓ No Recalls Reported	Recall Reported
Basic Warranty Original warranty estimated to have expired.	Warranty Expired	Warranty Expired




Detailed History

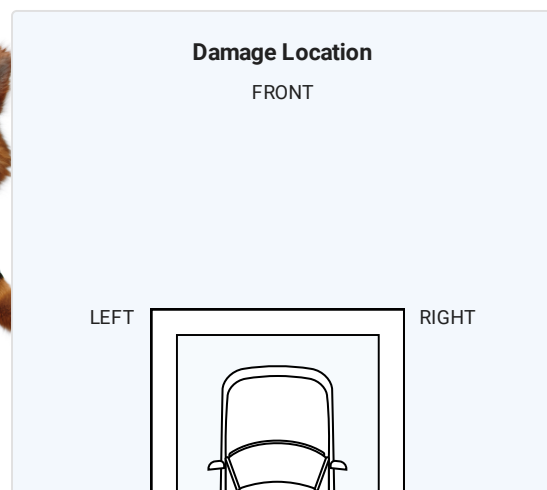


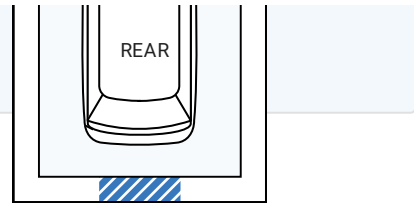
Owner 1

Purchased: 2004

Personal Lease Vehicle

Date	Mileage	Source	Comments
12/16/2004		Minnesota Motor Vehicle Dept.	Vehicle purchase reported - Titled or registered as personal lease vehicle
02/15/2005		Minnesota Motor Vehicle Dept. Hastings, MN Title #J0460T332	Title or registration issued - First owner reported - Titled or registered as personal lease vehicle
11/30/2005		Minnesota Motor Vehicle Dept. Hastings, MN Title #J0460T332	Title or registration issued - Titled or registered as personal lease vehicle
05/22/2006		Damage Report	 Accident reported with another motor vehicle - Damage to rear - Vehicle towed





CARFAX HAS THE MOST ACCIDENT & DAMAGE INFORMATION

06/26/2006		Minnesota Motor Vehicle Dept. Hastings, MN Title #J0460T332		Title or registration issued - Titled or registered as personal lease vehicle
11/29/2006		Minnesota Motor Vehicle Dept. Hastings, MN Title #J0460T332		Registration issued or renewed - Titled or registered as personal lease vehicle
08/15/2007	25,480	Minnesota Motor Vehicle Dept. Hastings, MN		Odometer reading reported
11/01/2007		Minnesota Motor Vehicle Dept. Hastings, MN Title #J0460T332		Registration issued or renewed - Titled or registered as personal lease vehicle
11/20/2007		Minnesota Motor Vehicle Dept. Hastings, MN Title #K3240W105		Title issued or updated
12/02/2008		Minnesota Motor Vehicle Dept. Hastings, MN Title #K3240W105		Registration issued or renewed
10/09/2009		Minnesota Motor Vehicle Dept. Hastings, MN Title #K3240W105		Registration issued or renewed
07/13/2010	36,737	Crossroads Shell Rapid Lube Hastings, MN 651-438-3545 hastingscrossroads.com ★ 4.8 / 5.0 58 Verified Reviews ❤️ 47 Customer Favorites		Vehicle serviced - Oil and filter changed
12/01/2010		Minnesota Motor Vehicle Dept. Hastings, MN Title #K3240W105		Registration issued or renewed
11/14/2011		Minnesota Motor Vehicle Dept. Hastings, MN		Registration issued or renewed

Title #K3240W105

12/06/2012

Minnesota
Motor Vehicle Dept.
Hastings, MN
Title #K3240W105

Registration issued or renewed

10/23/2013

Minnesota
Motor Vehicle Dept.
Hastings, MN
Title #K3240W105

Registration issued or renewed

10/29/2014

Minnesota
Motor Vehicle Dept.
Hastings, MN
Title #K3240W105

Registration issued or renewed

11/13/2015

Minnesota
Motor Vehicle Dept.
Hastings, MN
Title #K3240W105

Registration issued or renewed

11/07/2016

Minnesota
Motor Vehicle Dept.
Hastings, MN
Title #K3240W105

Registration issued or renewed

09/27/2017

61,316

Inver Grove Honda
Inver Grove Heights, MN
888-354-9676
invergrovehonda.com



Vehicle serviced

- Maintenance inspection completed
- Vehicle washed/detailed

★ 4.8 / 5.0

877 Verified Reviews

♥ 10,957 Customer Favorites

11/27/2017

Minnesota
Motor Vehicle Dept.
Hastings, MN
Title #K3240W105

Title or registration issued

- Exempt from odometer reporting

10/25/2018

Minnesota
Motor Vehicle Dept.
Hastings, MN
Title #K3240W105

Title or registration issued

- Exempt from odometer reporting

03/06/2019

63,229

Crossroads Shell Rapid
Lube
Hastings, MN
651-438-3545
hastingscrossroads.com



Vehicle serviced

- Oil and filter changed
- Vehicle washed/detailed

★ 4.8 / 5.0

58 Verified Reviews

♥ 47 Customer Favorites

04/18/2019

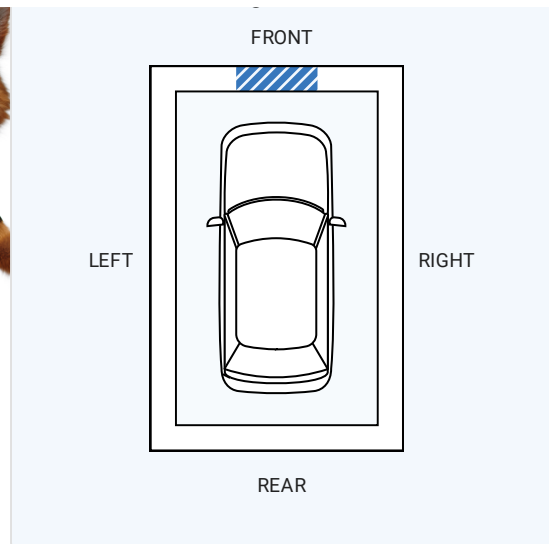
Damage Report



Accident reported

- It hit a sign / traffic signal
- Damage to front
- Airbags did not deploy

Damage Location



CARFAX HAS THE MOST ACCIDENT & DAMAGE INFORMATION




Owner 2

Purchased: 2019

Personal Vehicle

Date	Mileage	Source	Comments
08/05/2019		Minnesota Motor Vehicle Dept.	Vehicle purchase reported
08/09/2019		Minnesota Motor Vehicle Dept. Saint Paul, MN Title #00V491S-1	Title or registration issued - New owner reported - Exempt from odometer reporting - Vehicle color noted as Gold
11/13/2019		Minnesota Motor Vehicle Dept. Saint Paul, MN Title #00V491S-1	Title or registration issued - Exempt from odometer reporting - Vehicle color noted as Gold
12/01/2020		Minnesota Motor Vehicle Dept. Saint Paul, MN Title #00V491S-1	Title or registration issued - Exempt from odometer reporting - Vehicle color noted as Gold
12/11/2020		American Honda Motor Co.	Manufacturer Safety-related recall issued - NHTSA #20V-768 - Recall #P9D 2002-06 CR-V Driver's PWMS Safety Recall (SHS) - Status: Remedy Available Locate an authorized Honda dealer to obtain more information about this recall ⊕ Learn more about this recall
12/17/2021		Minnesota Motor Vehicle Dept. Saint Paul, MN Title #00V491S-1	Title issued or updated - Registration issued or renewed - Exempt from odometer reporting - Vehicle color noted as Gold

12/30/2021	68,664	Valvoline Instant Oil Change White Bear Lake, MN 651-653-5782 vioc.com		Vehicle serviced - Oil and filter changed - Air filter replaced
------------	--------	---	---	--

★ **4.6 / 5.0**
73 Verified Reviews
❤️ **89** Customer Favorites

10/19/2022	Minnesota Motor Vehicle Dept. Saint Paul, MN Title #00V491S-1	Title issued or updated - Registration issued or renewed - Exempt from odometer reporting - Vehicle color noted as Gold
------------	--	---

11/30/2023	Minnesota Motor Vehicle Dept. Saint Paul, MN Title #00V491S-1	Title issued or updated - Registration issued or renewed - Exempt from odometer reporting - Vehicle color noted as Gold
------------	--	---

01/27/2024	Minnesota Motor Vehicle Dept. Saint Paul, MN Title #00V491S-1	Title issued or updated - Registration issued or renewed - Exempt from odometer reporting - Vehicle color noted as Gold
------------	--	---



Glossary

Accident Indicator

CARFAX receives information about accidents in all 50 states, the District of Columbia and Canada.

Not every accident is reported to CARFAX. As details about the accident become available, those additional details are added to the CARFAX Vehicle History Report. CARFAX recommends that you have this vehicle inspected by a qualified mechanic.

First Owner

When the first owner(s) obtains a title from a Department of Motor Vehicles as proof of ownership.

Manufacturer Recall

Automobile manufacturers issue recall notices to inform vehicle owners of a safety defect or failure to meet minimum federal safety or emissions standards. Manufacturer recalls are repaired at no cost to the customer.

New Owner Reported

When a vehicle is sold to a new owner, the Title must be transferred to the new owner(s) at a Department of Motor Vehicles.

Ownership History

CARFAX defines an owner as an individual or business that possesses and uses a vehicle. Not all title transactions represent changes in ownership. To provide estimated number of owners, CARFAX proprietary technology analyzes all the events in a vehicle history. Estimated ownership is available for vehicles manufactured after 1991 and titled solely in the US including Puerto Rico. Dealers sometimes opt to take ownership of a vehicle and are required to in the following states: Maine, Massachusetts, New Jersey, Ohio, Oklahoma, Pennsylvania and South Dakota. Please consider this as you review a vehicle's estimated ownership history.

Title Issued

A state issues a title to provide a vehicle owner with proof of ownership. Each title has a unique number. Each title or registration record on a CARFAX report does not necessarily indicate a change in ownership. In Canada, a registration and bill of sale are used as proof of ownership.