



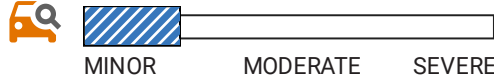
Vehicle History Report™

US \$44.99

2015 BMW X5 XDRIVE35I

VIN: 5UXKR0C5XF0K57275
4 DOOR WAGON/SPORT UTILITY
3.0L I6 F DOHC 24V
GASOLINE
ALL WHEEL DRIVE

Accident reported: minor damage



16 Service history records

CARFAX 1-Owner vehicle

Personal vehicle

Last owned in Minnesota

CARFAX Ownership History

The number of owners is estimated

Owner 1

Year purchased

2014

Type of owner

Personal

Estimated length of ownership

3 yrs. 8 mo.

Owned in the following states/provinces

Wisconsin, Minnesota

Estimated miles driven per year

Last reported odometer reading



CARFAX Title History

CARFAX guarantees the information in this section

Owner 1

Damage Brands

Salvage | Junk | Rebuilt | Fire | Flood | Hail | Lemon

Guaranteed
No Problem

Odometer Brands

Not Actual Mileage | Exceeds Mechanical Limits

Guaranteed
No Problem

CARFAX Additional History

Not all accidents / issues are reported to CARFAX

Owner 1

Total Loss

No total loss reported to CARFAX.

No Issues
Reported

Structural Damage

CARFAX recommends that you have this vehicle inspected by a collision repair specialist.

No Issues
Reported

| | |
|---|---|
| Airbag Deployment No airbag deployment reported to CARFAX. | <input checked="" type="checkbox"/> No Issues Reported |
| Odometer Check Inconsistent mileage indicated. | Mileage Inconsistency |
| Accident / Damage Damage reported: 11/22/2016 and 01/25/2022. Accident reported: 08/01/2019. | Minor Damage |
| Manufacturer Recall No open recalls reported to CARFAX. Check with an authorized BMW dealer for any open recalls. | <input checked="" type="checkbox"/> No Recalls Reported |
| Basic Warranty Original warranty estimated to have expired. | Warranty Expired |



Detailed History



Owner 1

Purchased: 2014

Personal Vehicle

| Date | Mileage | Source | Comments |
|------------|---------|---|---|
| 11/07/2014 | 5 | Wisconsin Motor Vehicle Dept. Chippewa Falls, WI | Odometer reading reported - Titled or registered as personal vehicle |
| 11/11/2014 | | Wisconsin Motor Vehicle Dept. Chippewa Falls, WI Title #14315FE0072 | Title issued or updated - Registration issued or renewed - First owner reported - Loan or lien reported - Vehicle color noted as Black |
| 01/13/2015 | 4,088 | Motorwerks BMW Minneapolis, MN 952-888-2700 motorwerksbmw.com ★ 4.7 / 5.0 552 Verified Reviews ❤️ 15,387 Customer Favorites | Vehicle serviced - Brakes checked - Electrical system checked - Trim checked - Engine checked |
| 07/03/2015 | 10,633 | Motorwerks BMW Minneapolis, MN 952-888-2700 motorwerksbmw.com ★ 4.7 / 5.0 552 Verified Reviews ❤️ 15,387 Customer Favorites | Vehicle serviced - Oil and filter changed |
| 09/14/2015 | | Wisconsin Motor Vehicle Dept. Chippewa Falls, WI | Registration issued or renewed - Vehicle color noted as Black |
| 01/21/2016 | 20,090 | Motorwerks BMW Minneapolis, MN 952-888-2700 motorwerksbmw.com | Vehicle serviced - Rear wiper blade replaced - Front wiper blades/refills replaced - Cabin air filter replaced/cleaned |

★ 4.7 / 5.0
552 Verified Reviews
♥ 15,387 Customer Favorites

- Oil and filter changed

08/26/2016

Motorwerks BMW
Minneapolis, MN
952-888-2700
motorwerksbmw.com



Vehicle serviced
- Oil and filter changed

★ 4.7 / 5.0
552 Verified Reviews
♥ 15,387 Customer Favorites

09/09/2016

Wisconsin
Motor Vehicle Dept.
Chippewa Falls, WI

Registration issued or renewed
- Vehicle color noted as Black

11/22/2016

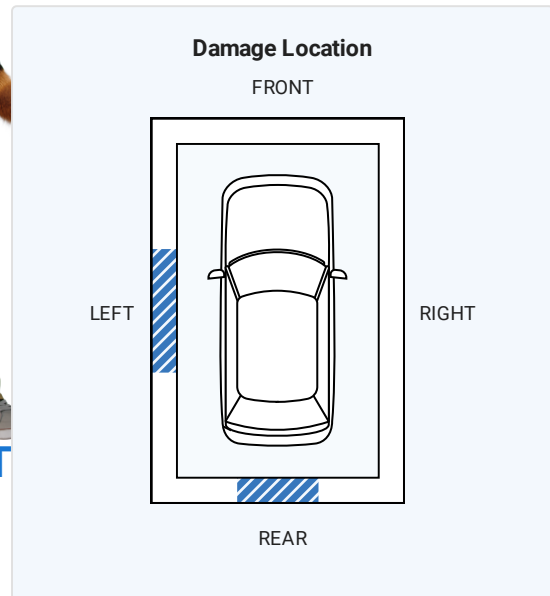
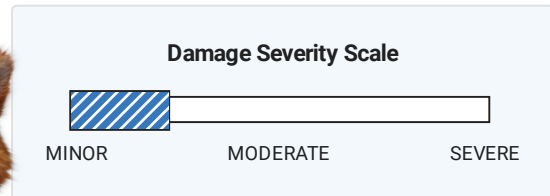
Damage Report



Damage reported: minor damage
- Damage to rear
- Damage to left side



**CARFAX HAS THE MOST
ACCIDENT & DAMAGE
INFORMATION**



Minor damage is usually cosmetic, including dents or scratches to the vehicle body.

07/25/2017

40,287

Motorwerks BMW
Minneapolis, MN
952-888-2700
motorwerksbmw.com




Vehicle serviced
- Maintenance inspection completed
- Recommended maintenance performed
- Fluids checked
- Rear wiper blade replaced
- Front wiper blades/refills replaced
- Brake fluid flushed/changed
- Oil and filter changed


★ 4.7 / 5.0
552 Verified Reviews
♥ 15,387 Customer Favorites


10/16/2017 Wisconsin Motor Vehicle Dept. Eau Claire, WI **Registration issued or renewed**
- Registration updated when owner moved the vehicle to a new location
- Vehicle color noted as Black


07/23/2018 Minnesota Motor Vehicle Dept. **Vehicle purchase reported**

07/25/2018 48,262 Motorwerks BMW Minneapolis, MN 952-888-2700 motorwerksbmw.com  **Vehicle serviced**
- Rear wiper blade replaced
- Front wiper blades/refills replaced
- Fluids checked
- Air filter replaced
- Oil and filter changed
★ 4.7 / 5.0
552 Verified Reviews
❤️ 15,387 Customer Favorites

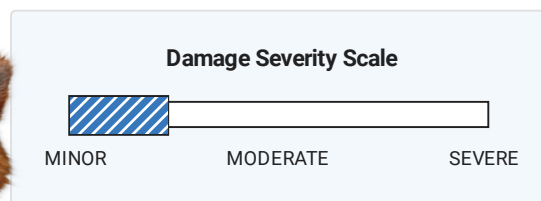
09/07/2018 Wisconsin Motor Vehicle Dept. Eau Claire, WI **Registration issued or renewed**
- Vehicle color noted as Black

01/31/2019 59,655 Motorwerks BMW Minneapolis, MN 952-888-2700 motorwerksbmw.com  **Vehicle serviced**
- Maintenance inspection completed
- Spark plug(s) replaced
- Oil and filter changed
- Four wheel alignment performed
- Tire condition and pressure checked
★ 4.7 / 5.0
552 Verified Reviews
❤️ 15,387 Customer Favorites

02/19/2019 60,531 Motorwerks BMW Minneapolis, MN 952-888-2700 motorwerksbmw.com  **Vehicle serviced**
- Body electrical system checked
★ 4.7 / 5.0
552 Verified Reviews
❤️ 15,387 Customer Favorites

07/09/2019 65,181 Motorwerks BMW Minneapolis, MN 952-888-2700 motorwerksbmw.com  **Vehicle serviced**
- Oil and filter changed
- Brake fluid flushed/changed
- Rear brake pads replaced
- Tires rotated
- Fluids checked
★ 4.7 / 5.0
552 Verified Reviews
❤️ 15,387 Customer Favorites

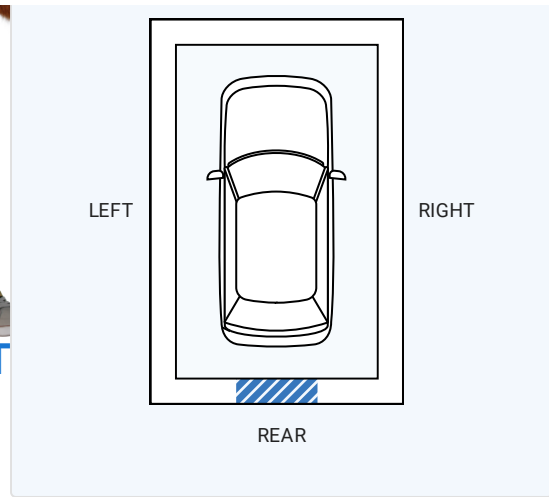
08/01/2019 Damage Report  **Accident reported: minor damage with another motor vehicle**
- Damage to rear
- Airbags did not deploy



Damage Location
FRONT



CARFAX HAS THE MOST ACCIDENT & DAMAGE INFORMATION



09/05/2019

Minnesota
Motor Vehicle Dept.
Saint Paul, MN
Title #00VBQ6V-1

Title or registration issued

- Registration updated when owner moved the vehicle to a new location
- Vehicle color noted as Black

03/17/2020

73,581

Motorwerks BMW
Minneapolis, MN
952-888-2700
motorwerksbmw.com

★ 4.7 / 5.0

552 Verified Reviews

♥ 15,387 Customer Favorites



Vehicle serviced

- Maintenance inspection completed
- Anti-theft/keyless remote battery replaced
- Rear wiper blade replaced
- Front wiper blades/refills replaced
- Oil and filter changed

07/13/2021

83,624

Motorwerks BMW
Minneapolis, MN
952-888-2700
motorwerksbmw.com

★ 4.7 / 5.0

552 Verified Reviews

♥ 15,387 Customer Favorites



Vehicle serviced

- Maintenance inspection completed
- Brake fluid flushed/changed
- Oil and filter changed

09/02/2021

Minnesota
Motor Vehicle Dept.
Saint Paul, MN
Title #00VBQ6V-1

Title issued or updated

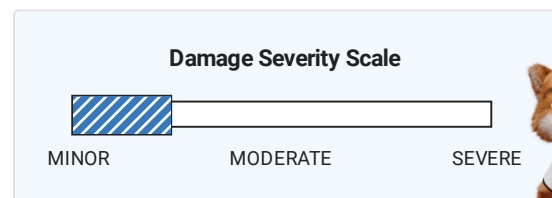
- Registration issued or renewed
- Vehicle color noted as Black

01/25/2022

Damage Report



Damage reported: minor damage



07/31/2022

Minnesota
Motor Vehicle Dept.
Saint Paul, MN
Title #00VBQ6V-1

Title issued or updated

- Registration issued or renewed
- Vehicle color noted as Black

12/21/2022

103,555

Car Care
Eagan, MN
651-688-0931



Vehicle serviced

- Oil and filter changed

★ 5.0 / 5.0
72 Verified Reviews
♥ 27 Customer Favorites

05/04/2023

Car-X Tire & Auto
Saint Paul, MN
651-366-6855
carx.com

★ 4.4 / 5.0
22 Verified Reviews
♥ 1 Customer Favorite



Vehicle serviced

- Maintenance inspection completed
- Brakes serviced
- Brake pads replaced
- Brakes checked

07/07/2023 109,241

Motorwerks BMW
Minneapolis, MN
952-888-2700
motorwerksbmw.com

★ 4.7 / 5.0
552 Verified Reviews
♥ 15,387 Customer Favorites



Vehicle serviced

- Maintenance inspection completed
- Oil and filter changed

09/09/2023

Minnesota
Motor Vehicle Dept.
Saint Paul, MN
Title #00VBQ6V-1

Title issued or updated

- Registration issued or renewed
- Vehicle color noted as Black

12/20/2023

Minnesota
Motor Vehicle Dept.
Saint Paul, MN
Title #00VBQ6V-1

Title issued or updated

- Registration issued or renewed
- Vehicle color noted as Black

12/21/2023 116,187

Luther Cadillac
Vadnais Heights, MN
651-636-6060
luthercadillac.com

★ 4.4 / 5.0
56 Verified Reviews
♥ 10 Customer Favorites

Vehicle offered for sale

12/27/2023

Luther Cadillac
Vadnais Heights, MN
651-636-6060
luthercadillac.com

★ 4.4 / 5.0
56 Verified Reviews
♥ 10 Customer Favorites



Vehicle serviced

- Pre-delivery inspection completed
- Maintenance inspection completed
- Engine checked



Looks like this dealer serviced the car in order to prepare it for sale. That's a good thing!

01/24/2024 11,619

Service Facility



Vehicle serviced

- Fluids checked

MILEAGE INCONSISTENCY



The mileage reported here conflicts with this vehicle's odometer history. Ask a mechanic or the seller to



odometer history. ASK a MECHANIC or the SELLER to confirm the actual mileage - this entry may just be a clerical error.

02/02/2024

Online Listing

Vehicle offered for sale



Glossary

Accident Indicator

CARFAX receives information about accidents in all 50 states, the District of Columbia and Canada.

Not every accident is reported to CARFAX. As details about the accident become available, those additional details are added to the CARFAX Vehicle History Report. CARFAX recommends that you have this vehicle inspected by a qualified mechanic.

Damage Indicator

Damage can be a result of many different types of events. Examples include contact with objects (other cars, trees, traffic signs, road debris, etc), vandalism, or weather-related events. Not every damage event is reported to CARFAX. As details about the damage event become available, those additional details are added to the CARFAX Vehicle History Report. CARFAX recommends that you have this vehicle inspected by a qualified mechanic.

Damage Severity

Damage events result in one of the following severity levels:

- **Minor:** Generally, minor damage is cosmetic (including dents or scratches), may only require reconditioning, and typically does not compromise a vehicle's operation and/or safety.
- **Moderate:** Moderate damage may affect multiple components of the vehicle and may impair the vehicle's operation and/or safety.
- **Severe:** Severe damage usually affects multiple components of the vehicle and is likely to compromise the vehicle's operation and/or safety.

CARFAX recommends getting a pre-purchase inspection at a certified collision repair facility.

First Owner

When the first owner(s) obtains a title from a Department of Motor Vehicles as proof of ownership.

Mileage Inconsistency

If an odometer reading is less than a previous reading but CARFAX is uncertain whether the discrepancy is a rollback or a clerical error, then CARFAX calls it a "Mileage Inconsistency". In this case, you should verify the mileage with your dealer or a qualified mechanic.

Ownership History

CARFAX defines an owner as an individual or business that possesses and uses a vehicle. Not all title transactions represent changes in ownership. To provide estimated number of owners, CARFAX proprietary technology analyzes all the events in a vehicle history. Estimated ownership is available for vehicles manufactured after 1991 and titled solely in the US including Puerto Rico. Dealers sometimes opt to take ownership of a vehicle and are required to in the following states: Maine, Massachusetts, New Jersey, Ohio, Oklahoma, Pennsylvania and South Dakota. Please consider this as you review a vehicle's estimated ownership history.

Title Issued

A state issues a title to provide a vehicle owner with proof of ownership. Each title has a unique number. Each title or registration record on a CARFAX report does not necessarily indicate a change in ownership. In Canada, a registration and bill of sale are used as proof of ownership.