



Vehicle History Report™

US \$44.99

2009 FORD E-SERIES E-250

VIN: 1FTNS24W49DA15245
VAN
4.6L V8 F SOHC 16V
GASOLINE
REAR WHEEL DRIVE

Accident reported

29 Service history records

3 Previous owners

Types of owners: Government, Personal

Last owned in Minnesota

171,328 Last reported odometer reading



Ownership History

The number of owners is estimated

Owner 1

Owner 2

Owner 3

Year purchased

2008

2018

2018

Type of owner

Government

Government

Personal

Estimated length of ownership

9 yrs. 7 mo.

2 months

5 yrs. 2 mo.

Owned in the following states/provinces

Minnesota

Minnesota

Minnesota

Estimated miles driven per year

4,742/yr

24,606/yr

Last reported odometer reading

42,733

44,971

171,328



Title History

CARFAX guarantees the information in this section

Owner 1

Owner 2

Owner 3

Damage Brands

Salvage | Junk | Rebuilt | Fire | Flood | Hail | Lemon

Guaranteed
No Problem

Guaranteed
No Problem

Guaranteed
No Problem

Odometer Brands

Not Actual Mileage | Exceeds Mechanical Limits

Guaranteed
No Problem

Guaranteed
No Problem

Guaranteed
No Problem



Additional History

Not all accidents / issues are reported to CARFAX

Owner 1

Owner 2

Owner 3

Total Loss

No total loss reported to CARFAX.

No Issues
Reported

No Issues
Reported

No Issues
Reported

Structural Damage

CARFAX recommends that you have this vehicle inspected by a

No Issues
Reported

No Issues
Reported

No Issues
Reported

collision repair specialist.			
Airbag Deployment No airbag deployment reported to CARFAX.	✓ No Issues Reported	✓ No Issues Reported	✓ No Issues Reported
Odometer Check No indication of an odometer rollback.	✓ No Issues Indicated	✓ No Issues Indicated	✓ No Issues Indicated
Accident / Damage Accidents reported: 12/12/2012 and 05/12/2022.	Accident Reported	No New Issues Reported	Accident Reported
Manufacturer Recall A current list of recalls is available at Ford Motor Company.	✓ No Recalls Reported	✓ No Recalls Reported	✓ No Recalls Reported
Basic Warranty Original warranty estimated to have expired.	Warranty Expired	Warranty Expired	Warranty Expired



Detailed History




Owner 1


Purchased: 2008



Low mileage! This owner drove less than the industry average of 15,000 miles per year.


Government Vehicle
4,742 mi/yr

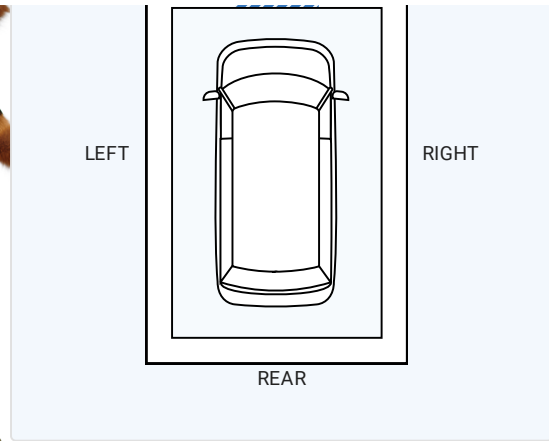
Date	Mileage	Source	Comments
10/11/2008		NICB	Vehicle manufactured and shipped to original dealer
11/05/2008	8	Minnesota Motor Vehicle Dept.	Vehicle purchase reported
12/24/2008		Minnesota Motor Vehicle Dept. Minneapolis, MN	Title or registration issued - First owner reported - Loan or lien reported - Titled or registered for government use - Vehicle color noted as Maroon
01/14/2010		Minnesota Motor Vehicle Dept. Minneapolis, MN	Registration issued or renewed - Title or registration issued - Titled or registered for government use - Vehicle color noted as Maroon
01/25/2012		Minnesota Motor Vehicle Dept. Minneapolis, MN	Registration issued or renewed - Title or registration issued - Loan or lien reported - Titled or registered for government use - Vehicle color noted as Maroon
12/12/2012		Damage Report	 Accident reported with another motor vehicle - It hit a parked motor vehicle - Damage to front



Damage Location

FRONT





CARFAX HAS THE MOST ACCIDENT & DAMAGE INFORMATION

01/22/2014		Minnesota Motor Vehicle Dept. Minneapolis, MN		Registration issued or renewed - Title or registration issued - Loan or lien reported - Titled or registered for government use - Vehicle color noted as Maroon
06/05/2014	29,971	Boyer Ford Minneapolis, MN 612-378-6000 boyerfordtrucks.com/ ★ 5.0 / 5.0 6 Verified Reviews		Vehicle serviced - Maintenance inspection completed - Brakes checked - Engine checked - Drivability/performance checked - Battery/charging system checked - Tire condition and pressure checked
01/22/2016		Minnesota Motor Vehicle Dept. Minneapolis, MN		Registration issued or renewed - Title or registration issued - Loan or lien reported - Titled or registered for government use - Vehicle color noted as Maroon
11/06/2017	42,733	Boyer Ford Minneapolis, MN 612-378-6000 boyerfordtrucks.com/ ★ 5.0 / 5.0 6 Verified Reviews		Vehicle serviced - Drivability/performance checked - Evaporative emissions vent purge valve replaced
01/18/2018		Minnesota Motor Vehicle Dept. Minneapolis, MN		Title or registration issued - Loan or lien reported - Vehicle color noted as Maroon

Owner 2
Purchased: 2018

Government
Vehicle

Date	Mileage	Source	Comments
06/12/2018		Minnesota Motor Vehicle Dept. Minneapolis, MN	Title or registration issued - New owner reported - Loan or lien reported - Titled or registered for government use - Vehicle color noted as Maroon

08/20/2018 44,971 Auto Auction

Vehicle sold



Millions of used vehicles are bought and sold at auction every year.

Owner 3
Purchased: 2018

Personal Vehicle
24,606 mi/yr

Date	Mileage	Source	Comments
09/08/2018	44,990	Minnesota Motor Vehicle Dept.	Vehicle purchase reported
09/19/2018		Minnesota Motor Vehicle Dept. Stacy, MN	Title or registration issued - New owner reported - Vehicle color noted as Maroon
11/24/2018	50,800	Wholesale Transmission Blaine, MN 763-783-1736 1 Customer Favorite	Vehicle serviced - Oil and filter changed
12/10/2018	51,716	Wholesale Transmission Blaine, MN 763-783-1736 1 Customer Favorite	Vehicle serviced
12/31/2018	55,650	Wholesale Transmission Blaine, MN 763-783-1736 1 Customer Favorite	Vehicle serviced - Oxygen sensor replaced
01/15/2019	55,780	Wholesale Transmission Blaine, MN 763-783-1736 1 Customer Favorite	Vehicle serviced - ABS system checked
03/19/2019	62,803	Wholesale Transmission Blaine, MN 763-783-1736 1 Customer Favorite	Vehicle serviced - Oil and filter changed
09/04/2019		Minnesota Motor Vehicle Dept. Stacy, MN	Title or registration issued - Vehicle color noted as Maroon
09/11/2019	64,106	Wholesale Transmission Blaine, MN 763-783-1736 1 Customer Favorite	Vehicle serviced
10/22/2019	72,386	Valvoline Instant Oil Change Forest Lake, MN 651-982-1092 vioc.com 	Vehicle serviced - Oil and filter changed

★ 4.5 / 5.0
79 Verified Reviews
❤️ 183 Customer Favorites

01/25/2020 79,284

Valvoline Instant Oil Change
Forest Lake, MN
651-982-1092
vioc.com



Vehicle serviced
- Oil and filter changed

★ 4.5 / 5.0
79 Verified Reviews
❤️ 183 Customer Favorites

04/01/2020 84,603

Wholesale Transmission
Blaine, MN
763-783-1736
❤️ 1 Customer Favorite



Vehicle serviced
- Fluids checked
- Tires rotated
- Ball joint(s) replaced

05/07/2020 87,653

Valvoline Instant Oil Change
Forest Lake, MN
651-982-1092
vioc.com



Vehicle serviced
- Oil and filter changed

★ 4.5 / 5.0
79 Verified Reviews
❤️ 183 Customer Favorites

08/01/2020

Minnesota
Motor Vehicle Dept.
Stacy, MN

Title or registration issued
- Vehicle color noted as Maroon

08/31/2020 96,386

Valvoline Instant Oil Change
Forest Lake, MN
651-982-1092
vioc.com



Vehicle serviced
- Oil and filter changed

★ 4.5 / 5.0
79 Verified Reviews
❤️ 183 Customer Favorites

12/19/2020 104,089

Valvoline Instant Oil Change
Forest Lake, MN
651-982-1092
vioc.com



Vehicle serviced
- Oil and filter changed

★ 4.5 / 5.0
79 Verified Reviews
❤️ 183 Customer Favorites

04/15/2021 112,258

Valvoline Instant Oil Change
Forest Lake, MN
651-982-1092
vioc.com



Vehicle serviced
- Oil and filter changed
- High mount brake light bulb replaced

★ 4.5 / 5.0
79 Verified Reviews
❤️ 183 Customer Favorites

08/06/2021 119,925

Valvoline Instant Oil Change
Forest Lake, MN
651-982-1092
vioc.com



Vehicle serviced
- Oil and filter changed

★ -

★ 4.5 / 5.0
79 Verified Reviews
♥ 183 Customer Favorites

08/11/2021

Minnesota
Motor Vehicle Dept.
Stacy, MN

Title issued or updated
- Registration issued or renewed
- Vehicle color noted as Maroon

09/30/2021 123,952

Wholesale Transmission
Blaine, MN
763-783-1736
♥ 1 Customer Favorite



Vehicle serviced
- Fluids checked
- Transmission filter replaced

11/19/2021 127,968

Valvoline Instant Oil Change
Forest Lake, MN
651-982-1092
vioc.com



Vehicle serviced
- Oil and filter changed
- Tires rotated

★ 4.5 / 5.0
79 Verified Reviews
♥ 183 Customer Favorites

03/12/2022 136,007

Valvoline Instant Oil Change
Forest Lake, MN
651-982-1092
vioc.com



Vehicle serviced
- Oil and filter changed

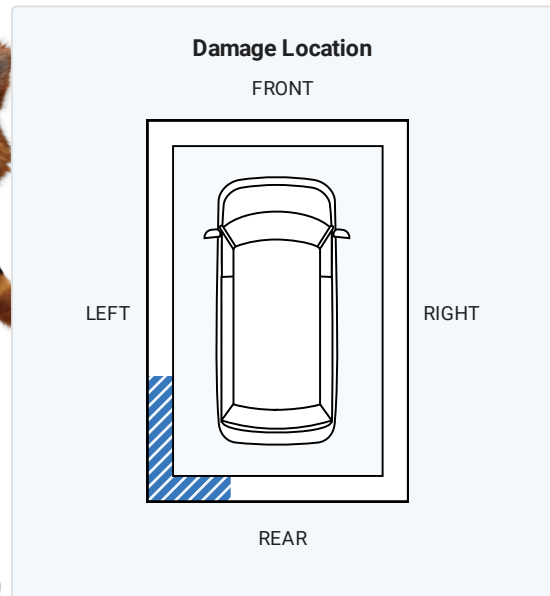
★ 4.5 / 5.0
79 Verified Reviews
♥ 183 Customer Favorites

05/12/2022

Damage Report



Accident reported with another motor vehicle
- Damage to left rear
- Airbags did not deploy



**CARFAX HAS THE MOST
ACCIDENT & DAMAGE
INFORMATION**

07/30/2022

144,594

Valvoline Instant Oil Change

Vehicle serviced

Forest Lake, MN
651-982-1092
vioc.com

★ 4.5 / 5.0

79 Verified Reviews

♥ 183 Customer Favorites



- Oil and filter changed

08/12/2022

Minnesota
Motor Vehicle Dept.
Stacy, MN

Title issued or updated

- Registration issued or renewed
- Vehicle color noted as Maroon

09/19/2022

Wholesale Transmission
Blaine, MN
763-783-1736

♥ 1 Customer Favorite



Vehicle serviced

01/13/2023

154,154

Valvoline Instant Oil Change
Forest Lake, MN
651-982-1092
vioc.com

★ 4.5 / 5.0

79 Verified Reviews

♥ 183 Customer Favorites



Vehicle serviced

- Oil and filter changed

02/21/2023

156,390

PTL Tire Service, Inc.
Andover, MN
763-434-7766
ptltireandauto.com

★ 4.9 / 5.0

50 Verified Reviews

♥ 69 Customer Favorites



Vehicle serviced

- Tire repaired
- One tire mounted

05/24/2023

162,215

Valvoline Instant Oil Change
Forest Lake, MN
651-982-1092
vioc.com

★ 4.5 / 5.0

79 Verified Reviews

♥ 183 Customer Favorites



Vehicle serviced

- Oil and filter changed

07/03/2023

164,724

Valvoline Instant Oil Change
Forest Lake, MN
651-982-1092
vioc.com

★ 4.5 / 5.0

79 Verified Reviews

♥ 183 Customer Favorites



Vehicle serviced

- Tires rotated

07/26/2023

Wholesale Transmission
Blaine, MN
763-783-1736

♥ 1 Customer Favorite



Vehicle serviced









- Oxygen sensor replaced

08/25/2023

Minnesota
Motor Vehicle Dept.
Stacy, MN

Title issued or updated

- Registration issued or renewed
- Vehicle color noted as Maroon

09/18/2023		Wholesale Transmission Blaine, MN 763-783-1736  1 Customer Favorite		Vehicle serviced
10/06/2023	169,917	Valvoline Instant Oil Change Forest Lake, MN 651-982-1092 vioc.com  4.5 / 5.0 79 Verified Reviews  183 Customer Favorites		Vehicle serviced - Oil and filter changed
10/26/2023	171,328	PTL Tire Service, Inc. Andover, MN 763-434-7766 ptltireandauto.com  4.9 / 5.0 50 Verified Reviews  69 Customer Favorites		Vehicle serviced - Tire repaired - One tire mounted



Glossary

Accident Indicator

CARFAX receives information about accidents in all 50 states, the District of Columbia and Canada.

Not every accident is reported to CARFAX. As details about the accident become available, those additional details are added to the CARFAX Vehicle History Report. CARFAX recommends that you have this vehicle inspected by a qualified mechanic.

First Owner

When the first owner(s) obtains a title from a Department of Motor Vehicles as proof of ownership.

Ford or Lincoln Mercury Recall

The Ford Motor Company provides CARFAX with Field Service Action and recall information regarding safety, compliance and emissions programs announced since 2000 for a specific vehicle. For complete information regarding programs or concerns about this vehicle, please contact a local Ford or Lincoln Mercury Dealer.

New Owner Reported

When a vehicle is sold to a new owner, the Title must be transferred to the new owner(s) at a Department of Motor Vehicles.

Ownership History

CARFAX defines an owner as an individual or business that possesses and uses a vehicle. Not all title transactions represent changes in ownership. To provide estimated number of owners, CARFAX proprietary technology analyzes all the events in a vehicle history. Estimated ownership is available for vehicles manufactured after 1991 and titled solely in the US including Puerto Rico. Dealers sometimes opt to take ownership of a vehicle and are required to in the following states: Maine, Massachusetts, New Jersey, Ohio, Oklahoma, Pennsylvania and South Dakota. Please consider this as you review a vehicle's estimated ownership history.

Title Issued

A state issues a title to provide a vehicle owner with proof of ownership. Each title has a unique number. Each title or registration record on a CARFAX report does not necessarily indicate a change in ownership. In Canada, a registration and bill of sale are used as proof of ownership.