



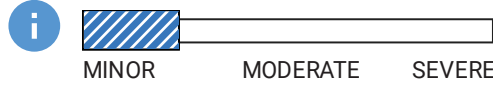
# Vehicle History Report™

US \$44.99

## 2011 TOYOTA SIENNA LIMITED 7-PASSENGER

VIN: 5TDYK3DC2BS017904  
VAN  
3.5L V6 F DOHC 24V  
GASOLINE  
FRONT WHEEL DRIVE

### Damage reported: minor damage



**28** Service history records



**2** Previous owners



Personal vehicle



Last owned in Minnesota



## Ownership History

The number of owners is estimated

**Owner 1**

**Owner 2**

Year purchased

2010

2013

Type of owner

Personal

Personal

Estimated length of ownership

1 yr. 10 mo.

10 yrs. 9 mo.

Owned in the following states/provinces

Minnesota

Minnesota

Estimated miles driven per year

19,789/yr

---

Last reported odometer reading

37,847

---



## Title History

CARFAX guarantees the information in this section

**Owner 1**

**Owner 2**

### Damage Brands

Salvage | Junk | Rebuilt | Fire | Flood | Hail | Lemon



**Guaranteed**  
No Problem



**Guaranteed**  
No Problem

### Odometer Brands

Not Actual Mileage | Exceeds Mechanical Limits



**Guaranteed**  
No Problem



**Guaranteed**  
No Problem



## Additional History

Not all accidents / issues are reported to CARFAX

**Owner 1**

**Owner 2**

### Total Loss

No total loss reported to CARFAX.



No Issues  
Reported



No Issues  
Reported

### Structural Damage

CARFAX recommends that you have this vehicle inspected by a collision



No Issues  
Reported



No Issues  
Reported

repair specialist.

<b>Airbag Deployment</b> No airbag deployment reported to CARFAX.	No Issues Reported	No Issues Reported
<b>Odometer Check</b> Inconsistent mileage indicated.	No Issues Indicated	Mileage Inconsistency
<b>Accident / Damage</b> Damage reported: 06/30/2020, 03/02/2023, and 06/05/2023.	No Issues Reported	Minor Damage
<b>Manufacturer Recall</b> No open recalls reported to CARFAX. Check with an authorized Toyota dealer for any open recalls. View Toyota disclosure	No Recalls Reported	No Recalls Reported
<b>Basic Warranty</b> Original warranty estimated to have expired.	<b>Warranty Expired</b>	<b>Warranty Expired</b>



## Detailed History










### Owner 1

Purchased: 2010

Personal Vehicle

19,789 mi/yr

Date	Mileage	Source	Comments
03/01/2010		NICB	<b>Vehicle manufactured and shipped to original dealer</b>
04/04/2010	6	Dealer Inventory	<b>Vehicle offered for sale</b>
05/24/2010		Maplewood Toyota Saint Paul, MN 651-482-1322 maplewoodtoyota.com <b>4.5 / 5.0</b> 320 Verified Reviews <b>61</b> Customer Favorites	<b>Vehicle sold</b>
05/24/2010		Minnesota Motor Vehicle Dept.	<b>Vehicle purchase reported</b> - Titled or registered as personal vehicle
05/26/2010		Dealer Inventory	<b>Vehicle offered for sale</b>
05/27/2010	10	Dealer Inventory	<b>Vehicle offered for sale</b>
06/08/2010		Toyota City Brooklyn Park, MN 763-566-0060 tc.lutherauto.com <b>4.6 / 5.0</b> 277 Verified Reviews <b>338</b> Customer Favorites	<b>Vehicle serviced</b> - Interior trim checked - Trim checked
07/22/2010	30	Minnesota Motor Vehicle Dept. Minneapolis, MN Title #B2030Z464	<b>Title or registration issued</b> - First owner reported - Loan or lien reported - Vehicle color noted as Green

08/16/2010	<p>Toyota City Brooklyn Park, MN 763-566-0060 tc.lutherauto.com</p> <p>★ 4.6 / 5.0 277 Verified Reviews ♥ 338 Customer Favorites</p>	 <p><b>Vehicle serviced</b> - Tires rotated</p>
11/04/2010	<p>Toyota City Brooklyn Park, MN 763-566-0060 tc.lutherauto.com</p> <p>★ 4.6 / 5.0 277 Verified Reviews ♥ 338 Customer Favorites</p>	 <p><b>Vehicle serviced</b> - Maintenance inspection completed - Recommended maintenance performed - 10,000 mile service performed - Oil and filter changed - Tires rotated</p>
01/20/2011	<p>Toyota City Brooklyn Park, MN 763-566-0060 tc.lutherauto.com</p> <p>★ 4.6 / 5.0 277 Verified Reviews ♥ 338 Customer Favorites</p>	 <p><b>Vehicle serviced</b> - Recommended maintenance performed - Maintenance inspection completed - 15,000 mile service performed - Body lubricated - Tires rotated</p>
04/29/2011	<p>Minnesota Motor Vehicle Dept. Minneapolis, MN Title #B2030Z464</p>	<p><b>Registration issued or renewed</b> - Loan or lien reported - Registration updated when owner moved the vehicle to a new location - Vehicle color noted as Green</p>
05/03/2011	<p>Toyota City Brooklyn Park, MN 763-566-0060 tc.lutherauto.com</p> <p>★ 4.6 / 5.0 277 Verified Reviews ♥ 338 Customer Favorites</p>	 <p><b>Vehicle serviced</b> - Recommended maintenance performed - 20,000 mile service performed - Tires rotated - Oil and filter changed</p>
07/12/2011	<p>Toyota City Brooklyn Park, MN 763-566-0060 tc.lutherauto.com</p> <p>★ 4.6 / 5.0 277 Verified Reviews ♥ 338 Customer Favorites</p>	 <p><b>Vehicle serviced</b> - Vehicle washed/detailed</p>
08/05/2011	<p>Toyota City Brooklyn Park, MN 763-566-0060 tc.lutherauto.com</p> <p>★ 4.6 / 5.0 277 Verified Reviews ♥ 338 Customer Favorites</p>	 <p><b>Vehicle serviced</b> - Recommended maintenance performed - Tires rotated</p>
12/13/2011	<p>30,425 Luther Brookdale Toyota Scion</p>	 <p><b>Vehicle serviced</b> - Cabin air filter replaced/cleaned</p>

Minneapolis, MN  
763-331-6700  
lutherbrookdaletoyota.com/  
★ 4.6 / 5.0  
277 Verified Reviews  
❤️ 338 Customer Favorites

- Air filter replaced

01/24/2012

Toyota City  
Brooklyn Park, MN  
763-566-0060  
tc.lutherauto.com  
★ 4.6 / 5.0  
277 Verified Reviews  
❤️ 338 Customer Favorites



**Vehicle serviced**

- Brake pedal assembly replaced/repaired

03/07/2012

Toyota City  
Brooklyn Park, MN  
763-566-0060  
tc.lutherauto.com  
★ 4.6 / 5.0  
277 Verified Reviews  
❤️ 338 Customer Favorites



**Vehicle serviced**

- Tires rotated  
- Oil and filter changed

03/29/2012

36,597

Dealer Inventory

**Vehicle offered for sale**

03/30/2012

36,598

Toyota Certified Dealer  
Saint Paul, MN

**Offered for sale as a Toyota Certified Used Vehicle**



Certified  
Used Vehicles

12/11/2012

36,793

Maplewood Toyota  
Saint Paul, MN  
651-482-1322  
maplewoodtoyota.com  
★ 4.5 / 5.0  
320 Verified Reviews  
❤️ 61 Customer Favorites

**Vehicle sold**

01/24/2013

37,847

Valvoline Instant Oil Change  
Little Canada, MN  
651-482-0606  
vioc.com  
★ 4.7 / 5.0  
68 Verified Reviews  
❤️ 123 Customer Favorites



**Vehicle serviced**

- Oil and filter changed



**Owner 2**

Purchased: 2013

Personal Vehicle

**Date**

**Mileage**

**Source**

**Comments**

02/06/2013

Minnesota  
Motor Vehicle Dept.

**Vehicle purchase reported**

- Registration issued or renewed

Saint Paul, MN  
Title #K037A0498

- Title or registration issued
- Correction to record
- New owner reported
- Vehicle color noted as Green

03/26/2013

Minnesota  
Motor Vehicle Dept.  
Saint Paul, MN  
Title #K037A0498

**Registration issued or renewed**  
- Vehicle color noted as Green

02/26/2014 55,197

AutoNation Toyota Scion  
Fort Myers  
Fort Myers, FL  
239-321-5413  
autonation.com



**Vehicle serviced**  
- Four wheel alignment performed  
- Tires rotated  
- Tire condition and pressure checked

★ 4.3 / 5.0

783 Verified Reviews

♥ 556 Customer Favorites

03/24/2014

Minnesota  
Motor Vehicle Dept.  
Saint Paul, MN  
Title #K037A0498

**Registration issued or renewed**  
- Vehicle color noted as Green

12/04/2014 67,848

Valvoline Instant Oil Change  
Little Canada, MN  
651-482-0606  
vioc.com



**Vehicle serviced**  
- Oil and filter changed  
- Air filter replaced

★ 4.7 / 5.0

68 Verified Reviews

♥ 123 Customer Favorites

03/25/2015

Minnesota  
Motor Vehicle Dept.  
Saint Paul, MN  
Title #K037A0498

**Registration issued or renewed**  
- Vehicle color noted as Green

08/18/2015 75,736

Valvoline Instant Oil Change  
Roseville, MN  
651-489-4870  
vioc.com



**Vehicle serviced**  
- Oil and filter changed

★ 4.7 / 5.0

200 Verified Reviews

♥ 234 Customer Favorites

03/24/2016

Minnesota  
Motor Vehicle Dept.  
Saint Paul, MN  
Title #K037A0498

**Registration issued or renewed**  
- Vehicle color noted as Green

09/12/2016 90,899

Valvoline Instant Oil Change  
Little Canada, MN  
651-482-0606  
vioc.com



**Vehicle serviced**  
- Oil and filter changed

★ 4.7 / 5.0

68 Verified Reviews

♥ 123 Customer Favorites

03/30/2017

Minnesota

**Registration issued or renewed**

Motor Vehicle Dept.  
Saint Paul, MN  
Title #K037A0498

- Vehicle color noted as Green

04/06/2017 100,179  
Maplewood Toyota  
Saint Paul, MN  
651-482-1322  
maplewoodtoyota.com  
★ 4.5 / 5.0  
320 Verified Reviews  
❤️ 61 Customer Favorites



**Vehicle serviced**

06/01/2017 102,039  
Maplewood Toyota  
Saint Paul, MN  
651-482-1322  
maplewoodtoyota.com  
★ 4.5 / 5.0  
320 Verified Reviews  
❤️ 61 Customer Favorites



**Vehicle serviced**

09/14/2017 104,588  
Maplewood Toyota  
Saint Paul, MN  
651-482-1322  
maplewoodtoyota.com  
★ 4.5 / 5.0  
320 Verified Reviews  
❤️ 61 Customer Favorites



**Vehicle serviced**

- Maintenance inspection completed
- Vehicle washed/detailed
- Oil and filter changed

03/27/2018 112,033  
Maplewood Toyota  
Saint Paul, MN  
651-482-1322  
maplewoodtoyota.com  
★ 4.5 / 5.0  
320 Verified Reviews  
❤️ 61 Customer Favorites



**Vehicle serviced**

- Maintenance inspection completed
- Vehicle washed/detailed
- Oil and filter changed

03/29/2018  
Minnesota  
Motor Vehicle Dept.  
Saint Paul, MN  
Title #K037A0498

**Title or registration issued**

- Vehicle color noted as Green

08/15/2018 116,529  
Maplewood Toyota  
Saint Paul, MN  
651-482-1322  
maplewoodtoyota.com  
★ 4.5 / 5.0  
320 Verified Reviews  
❤️ 61 Customer Favorites



**Vehicle serviced**

09/06/2018 116,737  
Maplewood Toyota  
Saint Paul, MN  
651-482-1322  
maplewoodtoyota.com  
★ 4.5 / 5.0  
320 Verified Reviews  
❤️ 61 Customer Favorites



**Vehicle serviced**

01/09/2019 119,650 Maplewood Toyota  
Saint Paul, MN  
651-482-1322  
maplewoodtoyota.com  
★ 4.5 / 5.0  
320 Verified Reviews  
❤️ 61 Customer Favorites



**Vehicle serviced**  
- Maintenance inspection completed  
- Oil and filter changed

03/20/2019 124,428 Maplewood Toyota  
Saint Paul, MN  
651-482-1322  
maplewoodtoyota.com  
★ 4.5 / 5.0  
320 Verified Reviews  
❤️ 61 Customer Favorites



**Vehicle serviced**  
- Vehicle washed/detailed

03/22/2019 Minnesota  
Motor Vehicle Dept.  
Saint Paul, MN  
Title #K037A0498

**Title or registration issued**  
- Vehicle color noted as Green

06/20/2019 126,707 Valvoline Instant Oil Change  
Little Canada, MN  
651-482-0606  
vioc.com  
★ 4.7 / 5.0  
68 Verified Reviews  
❤️ 123 Customer Favorites



**Vehicle serviced**  
- Oil and filter changed

05/11/2020 Minnesota  
Motor Vehicle Dept.  
Saint Paul, MN  
Title #K037A0498

**Title or registration issued**  
- Vehicle color noted as Green

06/03/2020 135,491 Maplewood Toyota  
Saint Paul, MN  
651-482-1322  
maplewoodtoyota.com  
★ 4.5 / 5.0  
320 Verified Reviews  
❤️ 61 Customer Favorites

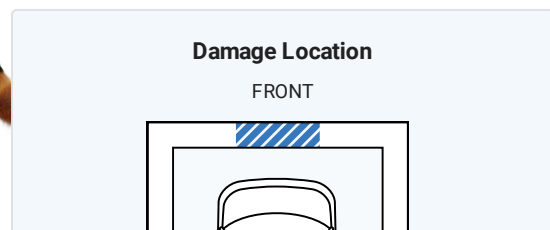
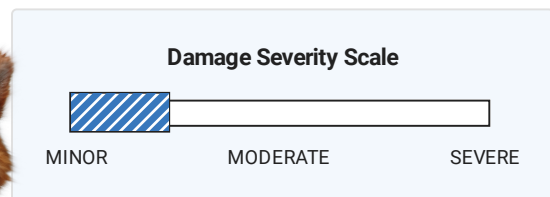


**Vehicle serviced**  
- Vehicle washed/detailed  
- A/C hose/line replaced

06/30/2020 Damage Report

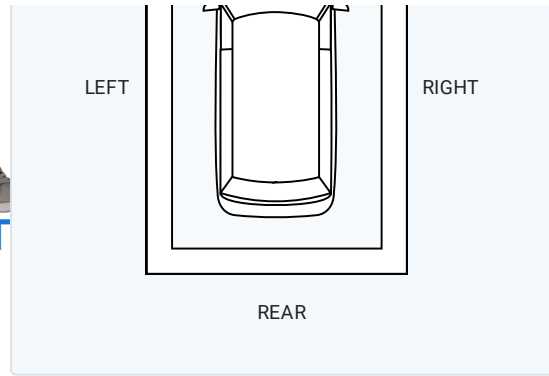


**Damage reported: minor damage**  
- Damage to front





## CARFAX HAS THE MOST ACCIDENT & DAMAGE INFORMATION



Minor damage is usually cosmetic, including dents or scratches to the vehicle body.

10/08/2020 138,494 Maplewood Toyota  
Saint Paul, MN  
651-482-1322  
maplewoodtoyota.com  
★ 4.5 / 5.0  
320 Verified Reviews  
❤️ 61 Customer Favorites



**Vehicle serviced**  
- Maintenance inspection completed  
- Vehicle washed/detailed  
- Oil and filter changed

03/23/2021 Minnesota  
Motor Vehicle Dept.  
Saint Paul, MN  
Title #K037A0498

**Title or registration issued**  
- Registration updated when owner moved the vehicle to a new location  
- Vehicle color noted as Green

10/07/2021 145,417 Maplewood Toyota  
Saint Paul, MN  
651-482-1322  
maplewoodtoyota.com  
★ 4.5 / 5.0  
320 Verified Reviews  
❤️ 61 Customer Favorites



**Vehicle serviced**  
- Maintenance inspection completed  
- Vehicle washed/detailed  
- Rear brake pads replaced  
- Rear brake rotor(s) resurfaced  
- Tires rotated  
- Oil and filter changed

09/06/2022 Minnesota  
Motor Vehicle Dept.  
Saint Paul, MN  
Title #K037A0498

**Title issued or updated**  
- Registration issued or renewed  
- Vehicle color noted as Green

01/09/2023 152,418 Valvoline Instant Oil Change  
White Bear Township, MN  
651-653-0959  
vioc.com  
★ 4.5 / 5.0  
85 Verified Reviews  
❤️ 136 Customer Favorites

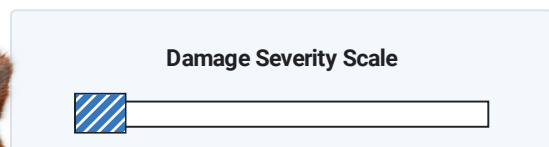


**Vehicle serviced**  
- Oil and filter changed  
- Air filter replaced

03/02/2023 Damage Report



**Damage reported: very minor damage**  
- Damage to right side

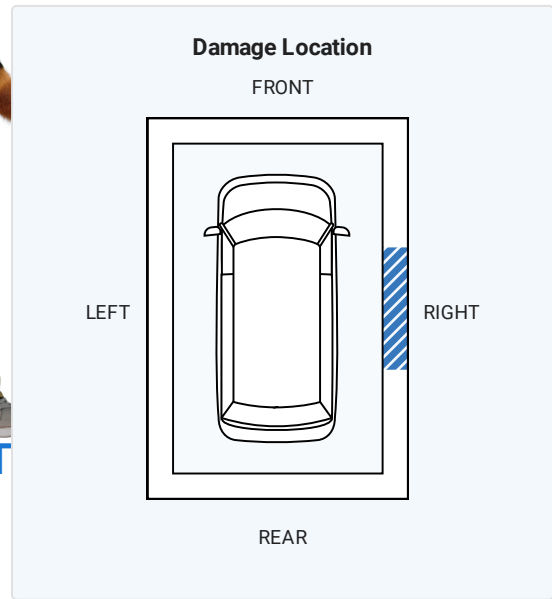






**CARFAX HAS THE MOST ACCIDENT & DAMAGE INFORMATION**

MINOR      MODERATE      SEVERE



03/27/2023

Minnesota  
Motor Vehicle Dept.  
Saint Paul, MN  
Title #K037A0498

**Title issued or updated**  
- Registration issued or renewed  
- Vehicle color noted as Green

06/05/2023

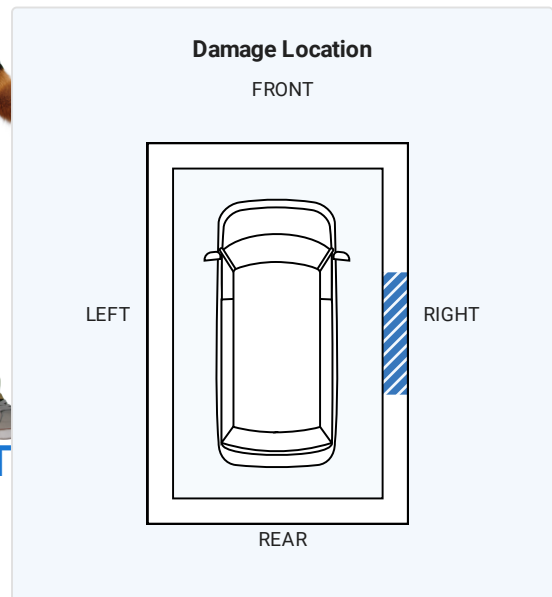
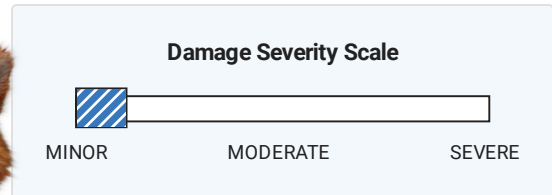
Damage Report



**Damage reported: very minor damage**  
- Damage to right side



**CARFAX HAS THE MOST ACCIDENT & DAMAGE INFORMATION**



11/12/2023

130,648

Audi St. Paul  
Saint Paul, MN  
651-494-1400  
audistpaul.com/  
★ 4.4 / 5.0  
8 Verified Reviews

**Vehicle offered for sale**  
**MILEAGE INCONSISTENCY**



The mileage reported here conflicts with this vehicle's odometer history. Ask a mechanic or the seller to confirm the actual mileage - this entry may just be a clerical error.

11/14/2023

Minnesota  
Motor Vehicle Dept.  
Saint Paul, MN  
Title #K037A0498

**Title issued or updated**  
- Registration issued or renewed  
- Vehicle color noted as Green

11/17/2023

Online Listing

**Vehicle offered for sale**



## Glossary

### Damage Indicator

Damage can be a result of many different types of events. Examples include contact with objects (other cars, trees, traffic signs, road debris, etc), vandalism, or weather-related events. Not every damage event is reported to CARFAX. As details about the damage event become available, those additional details are added to the CARFAX Vehicle History Report. CARFAX recommends that you have this vehicle inspected by a qualified mechanic.

### Damage Severity

Damage events result in one of the following severity levels:

- **Minor:** Generally, minor damage is cosmetic (including dents or scratches), may only require reconditioning, and typically does not compromise a vehicle's operation and/or safety.
- **Moderate:** Moderate damage may affect multiple components of the vehicle and may impair the vehicle's operation and/or safety.
- **Severe:** Severe damage usually affects multiple components of the vehicle and is likely to compromise the vehicle's operation and/or safety.

CARFAX recommends getting a pre-purchase inspection at a certified collision repair facility.

### First Owner

When the first owner(s) obtains a title from a Department of Motor Vehicles as proof of ownership.

### Mileage Inconsistency

If an odometer reading is less than a previous reading but CARFAX is uncertain whether the discrepancy is a rollback or a clerical error, then CARFAX calls it a "Mileage Inconsistency". In this case, you should verify the mileage with your dealer or a qualified mechanic.

### New Owner Reported

When a vehicle is sold to a new owner, the Title must be transferred to the new owner(s) at a Department of Motor Vehicles.

### Ownership History

CARFAX defines an owner as an individual or business that possesses and uses a vehicle. Not all title transactions represent changes in ownership. To provide estimated number of owners, CARFAX proprietary technology analyzes all the events in a vehicle history. Estimated ownership is available for vehicles manufactured after 1991 and titled solely in the US including Puerto Rico. Dealers sometimes opt to take ownership of a vehicle and are required to in the following states: Maine, Massachusetts, New Jersey, Ohio, Oklahoma, Pennsylvania and South Dakota. Please consider this as you review a vehicle's estimated ownership history.

### Title Issued

A state issues a title to provide a vehicle owner with proof of ownership. Each title has a unique number. Each title or registration record on a CARFAX report does not necessarily indicate a change in ownership. In Canada, a registration and bill of sale are used as proof of ownership.

### Toyota Recall / Service Campaign

Portions of this report have been included under license from Toyota Motor North America, Inc. ("TOYOTA"), License Agreement TMS1013. This data applies only to vehicle marketed or originally sold in Mexico and the United States of America, including Guam, Saipan, American Samoa, Puerto Rico, the U.S. Virgin Islands and the other United States territories and protectorates with currently open safety or emissions recalls, or service campaigns. While TOYOTA provides data to Carfax Inc. on a regular basis, this report may not include very recent activity. For the manufacturer's most current information on recall/campaign activity for any Toyota, Lexus or Scion brand vehicle, you must go to <http://toyota.com/recall> or <http://lexus.com/recall>.