



Vehicle History Report™

US \$44.99

2013 TOYOTA PRIUS TWO

VIN: JTDKN3DU1D0337291
HATCHBACK 4 DR
1.8L I4 F DOHC 16V
HYBRID
FRONT WHEEL DRIVE

Accident reported

Regular oil changes

2 Previous owners

Personal vehicle

Last owned in Minnesota

158,085 Last reported odometer reading



Ownership History

The number of owners is estimated

Owner 1

Owner 2

Year purchased

2013

2013

Type of owner

Personal

Personal

Estimated length of ownership

1 month

10 yrs. 5 mo.

Owned in the following states/provinces

Minnesota

Minnesota

Estimated miles driven per year

14,987/yr

Last reported odometer reading

30

158,085



Title History

CARFAX guarantees the information in this section

Owner 1

Owner 2

Damage Brands

Salvage | Junk | Rebuilt | Fire | Flood | Hail | Lemon

Guaranteed No Problem

Guaranteed No Problem

Odometer Brands

Not Actual Mileage | Exceeds Mechanical Limits

Guaranteed No Problem

Guaranteed No Problem



Additional History

Not all accidents / issues are reported to CARFAX

Owner 1

Owner 2

Total Loss

No total loss reported to CARFAX.

No Issues Reported

No Issues Reported

Structural Damage

CARFAX recommends that you have this vehicle inspected by a collision

No Issues Reported

No Issues Reported

repair specialist.		
Airbag Deployment No airbag deployment reported to CARFAX.	<input checked="" type="checkbox"/> No Issues Reported	<input checked="" type="checkbox"/> No Issues Reported
Odometer Check No indication of an odometer rollback.	<input checked="" type="checkbox"/> No Issues Indicated	<input checked="" type="checkbox"/> No Issues Indicated
Accident / Damage Accident reported: 08/04/2015. Damage reported: 03/10/2017.	<input checked="" type="checkbox"/> No Issues Reported	Accident Reported
Manufacturer Recall No open recalls reported to CARFAX. Check with an authorized Toyota dealer for any open recalls. View Toyota disclosure	<input checked="" type="checkbox"/> No Recalls Reported	<input checked="" type="checkbox"/> No Recalls Reported
Basic Warranty No data reported to CARFAX.	No Data Reported	No Data Reported




Detailed History



Owner 1

Purchased: 2013

Personal Vehicle

Date	Mileage	Source	Comments
11/21/2012		NICB	Vehicle manufactured and shipped to original dealer
12/07/2012	5	Dealer Inventory	Vehicle offered for sale
03/14/2013	18	Luther Brookdale Toyota Scion Minneapolis, MN 763-331-6700 lutherbrookdaletoyota.com/ ★ 4.6 / 5.0 274 Verified Reviews ❤️ 338 Customer Favorites	Vehicle offered for sale
03/15/2013		Luther Brookdale Toyota Scion Minneapolis, MN 763-331-6700 lutherbrookdaletoyota.com/ ★ 4.6 / 5.0 274 Verified Reviews ❤️ 338 Customer Favorites	 Vehicle serviced - Vehicle washed/detailed
03/15/2013	30	Minnesota Motor Vehicle Dept.	Vehicle purchase reported - Titled or registered as personal vehicle
03/29/2013		Minnesota Motor Vehicle Dept. Minneapolis, MN Title #BZ088A214	Title or registration issued - First owner reported - Vehicle color noted as Red
04/20/2013		Luther Brookdale Toyota	Vehicle sold

Scion
 Minneapolis, MN
 763-331-6700
 lutherbrookdaletoyota.com/

★ 4.6 / 5.0

274 Verified Reviews

♥ 338 Customer Favorites



Owner 2

Purchased: 2013



Low mileage! This owner drove less than the industry average of 15,000 miles per year.

Personal Vehicle
 14,987 mi/yr

Date	Mileage	Source	Comments
04/20/2013	740	Minnesota Motor Vehicle Dept. Saint Paul, MN	Odometer reading reported
05/24/2013	746	Minnesota Motor Vehicle Dept. Saint Paul, MN Title #G144A0148	Vehicle purchase reported - Title issued or updated - New owner reported - Vehicle color noted as Red
12/10/2013	10,484	Burnsville Toyota Burnsville, MN 952-435-8200 burnsvilletoyota.com ★ 4.6 / 5.0 224 Verified Reviews ♥ 239 Customer Favorites	Vehicle serviced - 10,000 mile service performed - Battery/charging system checked - Floor mats installed
02/12/2014	15,617	Burnsville Toyota Burnsville, MN 952-435-8200 burnsvilletoyota.com ★ 4.6 / 5.0 224 Verified Reviews ♥ 239 Customer Favorites	Vehicle serviced - 15,000 mile service performed - Battery/charging system checked - Floor mats installed
02/20/2014		Minnesota Motor Vehicle Dept. Saint Paul, MN Title #G144A0148	Registration issued or renewed - Vehicle color noted as Red
04/23/2014	20,395	Burnsville Toyota Burnsville, MN 952-435-8200 burnsvilletoyota.com ★ 4.6 / 5.0 224 Verified Reviews ♥ 239 Customer Favorites	Vehicle serviced - 20,000 mile service performed - Battery/charging system checked - Floor mats installed
06/24/2014	25,662	Burnsville Toyota Burnsville, MN 952-435-8200 burnsvilletoyota.com ★ 4.6 / 5.0	Vehicle serviced - Recommended maintenance performed - 25,000 mile service performed - Oil and filter changed - Floor mats installed

★ 4.6 / 5.0
224 Verified Reviews
♥ 239 Customer Favorites

- Battery/charging system checked

08/30/2014 31,692

Burnsville Toyota
Burnsville, MN
952-435-8200
burnsvilletoyota.com



Vehicle serviced

- Battery/charging system checked
- Floor mats installed
- Oil and filter changed

★ 4.6 / 5.0
224 Verified Reviews
♥ 239 Customer Favorites

11/24/2014 37,424

Burnsville Toyota
Burnsville, MN
952-435-8200
burnsvilletoyota.com



Vehicle serviced

- Battery/charging system checked
- Oil and filter changed
- Floor mats installed

★ 4.6 / 5.0
224 Verified Reviews
♥ 239 Customer Favorites

01/30/2015

Minnesota
Motor Vehicle Dept.
Saint Paul, MN
Title #G144A0148

Registration issued or renewed

- Vehicle color noted as Red

06/29/2015 49,188

Burnsville Toyota
Burnsville, MN
952-435-8200
burnsvilletoyota.com



Vehicle serviced

- Battery/charging system checked
- Floor mats installed
- Oil and filter changed

★ 4.6 / 5.0
224 Verified Reviews
♥ 239 Customer Favorites

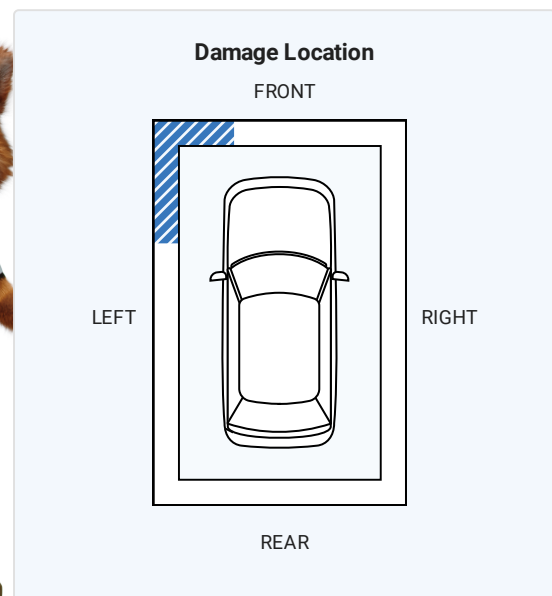
08/04/2015

Damage Report



Accident reported

- It hit a parked motor vehicle
- Damage to left front



**CARFAX HAS THE MOST
ACCIDENT & DAMAGE**

INFORMATION

02/16/2016 60,561 Burnsville Toyota
 Burnsville, MN
 952-435-8200
 burnsvilletoyota.com
★ **4.6 / 5.0**
 224 Verified Reviews
♥ **239** Customer Favorites



Vehicle serviced
 - Recommended maintenance performed
 - Battery/charging system checked
 - Floor mats installed

03/04/2016
 Minnesota
 Motor Vehicle Dept.
 Saint Paul, MN
 Title #G144A0148

Registration issued or renewed
 - Vehicle color noted as Red

09/27/2016 72,243 Burnsville Toyota
 Burnsville, MN
 952-435-8200
 burnsvilletoyota.com
★ **4.6 / 5.0**
 224 Verified Reviews
♥ **239** Customer Favorites



Vehicle serviced
 - Maintenance inspection completed
 - Oil and filter changed
 - Battery/charging system checked
 - Floor mats installed

01/31/2017
 Minnesota
 Motor Vehicle Dept.
 Saint Paul, MN
 Title #G144A0148

Registration issued or renewed
 - Vehicle color noted as Red

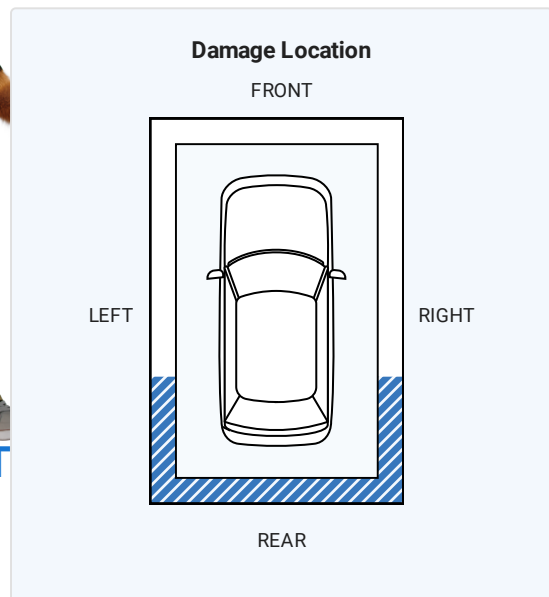
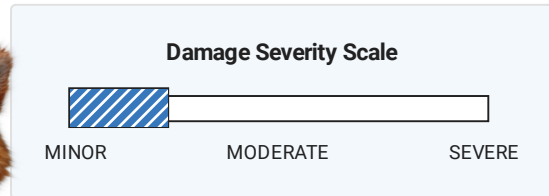
03/10/2017 Damage Report



Damage reported: minor damage
 - Damage to left rear
 - Damage to right rear
 - Damage to rear



CARFAX HAS THE MOST
 ACCIDENT & DAMAGE
 INFORMATION



04/24/2017 82,155 Burnsville Toyota
 Burnsville, MN



Vehicle serviced
 - Maintenance inspection completed

952-435-8200
burnsvilletoyota.com
★ 4.6 / 5.0
224 Verified Reviews
❤️ 239 Customer Favorites

- Oil and filter changed
- Tires rotated
- Battery/charging system checked
- Brakes checked

12/27/2017 92,686

Burnsville Toyota
Burnsville, MN
952-435-8200
burnsvilletoyota.com
★ 4.6 / 5.0
224 Verified Reviews
❤️ 239 Customer Favorites



- Vehicle serviced**
- Maintenance inspection completed
 - 90,000 mile service performed
 - Battery/charging system checked

01/31/2018

Minnesota
Motor Vehicle Dept.
Saint Paul, MN
Title #G144A0148

- Title or registration issued**
- Vehicle color noted as Red

07/11/2018 102,288

Burnsville Toyota
Burnsville, MN
952-435-8200
burnsvilletoyota.com
★ 4.6 / 5.0
224 Verified Reviews
❤️ 239 Customer Favorites



- Vehicle serviced**
- Maintenance inspection completed
 - Floor mats installed
 - Oil and filter changed
 - Brakes checked
 - Battery/charging system checked

01/25/2019 112,180

Burnsville Toyota
Burnsville, MN
952-435-8200
burnsvilletoyota.com
★ 4.6 / 5.0
224 Verified Reviews
❤️ 239 Customer Favorites



- Vehicle serviced**
- Maintenance inspection completed
 - Oil and filter changed
 - Brakes checked

01/30/2019

Minnesota
Motor Vehicle Dept.
Saint Paul, MN
Title #G144A0148

- Title or registration issued**
- Vehicle color noted as Red

12/09/2019 121,683

Burnsville Toyota
Burnsville, MN
952-435-8200
burnsvilletoyota.com
★ 4.6 / 5.0
224 Verified Reviews
❤️ 239 Customer Favorites



- Vehicle serviced**
- Maintenance inspection completed
 - Tires rotated
 - Oil and filter changed
 - Brakes checked

01/24/2020





Minnesota
Motor Vehicle Dept.
Saint Paul, MN
Title #G144A0148

- Title or registration issued**
- Vehicle color noted as Red

09/17/2020

Minnesota
Motor Vehicle Dept.
Saint Paul, MN
Title #G144A0148

- Title or registration issued**
- Vehicle color noted as Red

12/09/2020	128,023	<p>Burnsville Toyota Burnsville, MN 952-435-8200 burnsvilletoyota.com</p> <p>★ 4.6 / 5.0 224 Verified Reviews ❤️ 239 Customer Favorites</p>	 <p>Vehicle serviced - Maintenance inspection completed - Oil and filter changed</p>
03/03/2021		<p>Minnesota Motor Vehicle Dept. Saint Paul, MN Title #G144A0148</p>	<p>Title or registration issued - Vehicle color noted as Red</p>
10/20/2021	133,042	<p>Valvoline Instant Oil Change Eagan, MN 651-454-5510 vioc.com</p> <p>★ 4.6 / 5.0 121 Verified Reviews ❤️ 196 Customer Favorites</p>	 <p>Vehicle serviced - Oil and filter changed</p>
01/24/2022		<p>Minnesota Motor Vehicle Dept. Saint Paul, MN Title #G144A0148</p>	<p>Title issued or updated - Registration issued or renewed - Vehicle color noted as Red</p>
08/24/2022	137,000	<p>Burnsville Toyota Burnsville, MN 952-435-8200 burnsvilletoyota.com</p> <p>★ 4.6 / 5.0 224 Verified Reviews ❤️ 239 Customer Favorites</p>	 <p>Vehicle serviced - Maintenance inspection completed - Brake pads replaced - Antifreeze/coolant flushed/changed - Oil and filter changed - Transmission replaced - Front brake pads replaced - Battery replaced - Rear brake rotor(s) resurfaced - Spark plug(s) replaced - Tire condition and pressure checked - Tires rotated - Transmission fluid changed - Transmission serviced - Brakes checked</p>
01/26/2023		<p>Minnesota Motor Vehicle Dept. Saint Paul, MN Title #G144A0148</p>	<p>Title issued or updated - Registration issued or renewed - Vehicle color noted as Red</p>
04/19/2023	146,412	<p>Red's Automotive - Hometown Auto & Tire Eagan, MN 651-756-1900</p> <p>★ 5.0 / 5.0 23 Verified Reviews ❤️ 4 Customer Favorites</p>	 <p>Vehicle serviced - Maintenance inspection completed - Oil and filter changed</p>
10/17/2023	158,085	<p>Burnsville Toyota Burnsville, MN 952-435-8200 burnsvilletoyota.com</p>	<p>Vehicle offered for sale</p>

★ **4.6 / 5.0**
224 Verified Reviews
❤️ **239** Customer Favorites

10/25/2023

Minnesota
Motor Vehicle Dept.
Saint Paul, MN
Title #G144A0148

Title issued or updated
- Registration issued or renewed
- Vehicle color noted as Red

10/27/2023

Online Listing

Vehicle offered for sale



This vehicle's oil change history, as reported to CARFAX, follows the manufacturer's recommendation. Track your service history for free at carfax.com/service.

CARFAX Glossary

Accident Indicator

CARFAX receives information about accidents in all 50 states, the District of Columbia and Canada.

Not every accident is reported to CARFAX. As details about the accident become available, those additional details are added to the CARFAX Vehicle History Report. CARFAX recommends that you have this vehicle inspected by a qualified mechanic.

CARFAX Well Maintained - Regular Oil Changes

CARFAX identifies a "Well Maintained - Regular Oil Change" vehicle as having a regular oil change history when all its recommended oil changes, based on the vehicle's maintenance schedule, have been reported to CARFAX. CARFAX uses the manufacturer's schedule and assumes normal driving conditions. When an oil change schedule is not available, CARFAX may analyze reported service events to determine what is typical for the same make and model vehicle. Dealers and service shops may publish different recommended service schedules.

Damage Indicator

Damage can be a result of many different types of events. Examples include contact with objects (other cars, trees, traffic signs, road debris, etc), vandalism, or weather-related events. Not every damage event is reported to CARFAX. As details about the damage event become available, those additional details are added to the CARFAX Vehicle History Report. CARFAX recommends that you have this vehicle inspected by a qualified mechanic.

Damage Severity

Damage events result in one of the following severity levels:

- **Minor:** Generally, minor damage is cosmetic (including dents or scratches), may only require reconditioning, and typically does not compromise a vehicle's operation and/or safety.
- **Moderate:** Moderate damage may affect multiple components of the vehicle and may impair the vehicle's operation and/or safety.
- **Severe:** Severe damage usually affects multiple components of the vehicle and is likely to compromise the vehicle's operation and/or safety.

CARFAX recommends getting a pre-purchase inspection at a certified collision repair facility.

First Owner

When the first owner(s) obtains a title from a Department of Motor Vehicles as proof of ownership.

New Owner Reported

When a vehicle is sold to a new owner, the Title must be transferred to the new owner(s) at a Department of Motor Vehicles.

Ownership History

CARFAX defines an owner as an individual or business that possesses and uses a vehicle. Not all title transactions represent changes in ownership. To provide estimated number of owners, CARFAX proprietary technology analyzes all the events in a vehicle history. Estimated ownership is available for vehicles manufactured after 1991 and titled solely in the US including Puerto Rico. Dealers sometimes opt to take ownership of a vehicle and are required to in the following states: Maine, Massachusetts, New Jersey, Ohio, Oklahoma, Pennsylvania and South Dakota. Please consider this as you review a vehicle's estimated ownership history.

Title Issued

A state issues a title to provide a vehicle owner with proof of ownership. Each title has a unique number. Each title or registration record on a CARFAX report does not necessarily indicate a change in ownership. In Canada, a registration and bill of sale are used as proof of ownership.

Toyota Recall / Service Campaign

Portions of this report have been included under license from Toyota Motor North America, Inc. ("TOYOTA"), License Agreement TMS1013 . This data applies only to vehicle marketed or originally sold in Mexico and the United States of America, including Guam, Saipan, American Samoa, Puerto Rico, the U.S. Virgin Islands and the other United States territories and protectorates with currently open safety or emissions recalls, or service campaigns. While TOYOTA provides data to Carfax Inc. on a regular basis, this report may not include very recent activity. For the manufacturer's most current information on recall/campaign activity for any Toyota, Lexus or Scion brand vehicle, you must go to <http://toyota.com/recall> or <http://lexus.com/recall>..