



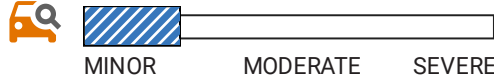
# Vehicle History Report™

US \$44.99

## 2013 TOYOTA RAV4 LIMITED

VIN: 2T3YFREV2DW048028  
4 DOOR WAGON/SPORT UTILITY  
2.5L I4 F DOHC 16V  
GASOLINE  
FRONT WHEEL DRIVE

### Accident reported: minor damage



7 Service history records

4 Previous owners

Personal vehicle

109,751 Last reported odometer reading



## Ownership History

The number of owners is estimated

	Owners 1-2	Owner 3	Owner 4
Year purchased	2013	2021	2021
Type of owner	Personal	Personal	Personal
Estimated length of ownership	7 yrs. 11 mo.	17 days	1 yr. 10 mo.
Owned in the following states/provinces	North Carolina, Minnesota	Minnesota	Minnesota
Estimated miles driven per year	See Details	---	3,219/yr
Last reported odometer reading	97,153	---	109,751



## Title History

CARFAX guarantees the information in this section

	Owners 1-2	Owner 3	Owner 4
<b>Damage Brands</b> Salvage   Junk   Rebuilt   Fire   Flood   Hail   Lemon	<input checked="" type="checkbox"/> <b>Guaranteed</b> No Problem	<input checked="" type="checkbox"/> <b>Guaranteed</b> No Problem	<input checked="" type="checkbox"/> <b>Guaranteed</b> No Problem
<b>Odometer Brands</b> Not Actual Mileage   Exceeds Mechanical Limits	<input checked="" type="checkbox"/> <b>Guaranteed</b> No Problem	<input checked="" type="checkbox"/> <b>Guaranteed</b> No Problem	<input checked="" type="checkbox"/> <b>Guaranteed</b> No Problem



## Additional History


Not all accidents / issues are reported to CARFAX

	Owners 1-2	Owner 3	Owner 4
<b>Total Loss</b> No total loss reported to CARFAX.	<input checked="" type="checkbox"/> No Issues Reported	<input checked="" type="checkbox"/> No Issues Reported	<input checked="" type="checkbox"/> No Issues Reported

<b>Structural Damage</b> CARFAX recommends that you have this vehicle inspected by a collision repair specialist.	<input checked="" type="checkbox"/> No Issues Reported	<input checked="" type="checkbox"/> No Issues Reported	<input checked="" type="checkbox"/> No Issues Reported
<b>Airbag Deployment</b> No airbag deployment reported to CARFAX.	<input checked="" type="checkbox"/> No Issues Reported	<input checked="" type="checkbox"/> No Issues Reported	<input checked="" type="checkbox"/> No Issues Reported
<b>Odometer Check</b> No indication of an odometer rollback.	<input checked="" type="checkbox"/> No Issues Indicated	<input checked="" type="checkbox"/> No Issues Indicated	<input checked="" type="checkbox"/> No Issues Indicated
<b>Accident / Damage</b> Accident reported: 02/25/2015. Damage reported: 01/22/2016 and 09/13/2016.	Minor Damage	No New Issues Reported	No New Issues Reported
<b>Manufacturer Recall</b> No open recalls reported to CARFAX. Check with an authorized Toyota dealer for any open recalls. View Toyota disclosure	<input checked="" type="checkbox"/> No Recalls Reported	<input checked="" type="checkbox"/> No Recalls Reported	<input checked="" type="checkbox"/> No Recalls Reported
<b>Basic Warranty</b> Original warranty estimated to have expired.	<b>Warranty Expired</b>	<b>Warranty Expired</b>	<b>Warranty Expired</b>




## Detailed History

 **Owner 1**  
Purchased: 2013



**Low mileage!** This owner drove less than the industry average of 15,000 miles per year.

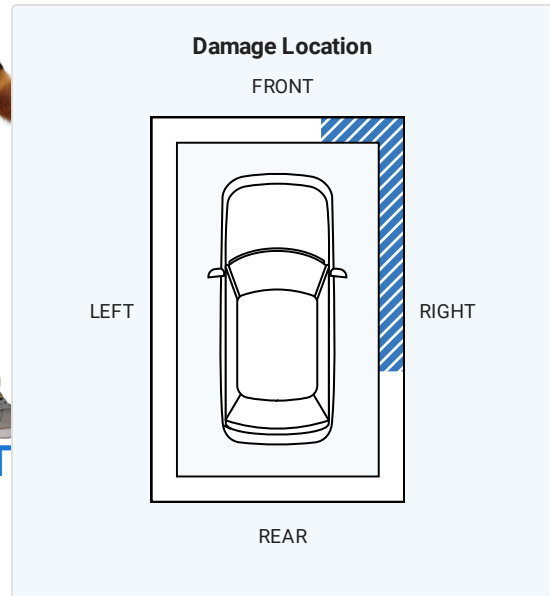
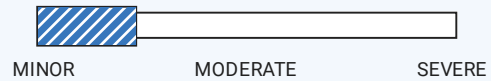
Personal Vehicle  
14,238 mi/yr

Date	Mileage	Source	Comments
08/19/2013		NICB	<b>Vehicle manufactured and shipped to original dealer</b>
09/16/2013		Dealer Inventory	<b>Vehicle offered for sale</b>
10/09/2013	73	North Carolina Motor Vehicle Dept. Cary, NC	<b>Odometer reading reported</b> - Titled or registered as personal vehicle
10/28/2013		North Carolina Motor Vehicle Dept. Cary, NC Title #77125913301331N	<b>Title or registration issued</b> - First owner reported - Loan or lien reported
04/11/2014		North Carolina Motor Vehicle Dept. Cary, NC Title #77125913301331N	<b>Registration issued or renewed</b> - Loan or lien reported - Registration updated when owner moved the vehicle to a new location
02/25/2015		Damage Report	 <b>Accident reported: minor damage</b> - Vehicle involved in a sideswipe collision - Damage to right front - Damage to right side - Vehicle drivable - Airbags did not deploy

 **Damage Severity Scale**



## CARFAX HAS THE MOST ACCIDENT & DAMAGE INFORMATION



Minor damage is usually cosmetic, including dents or scratches to the vehicle body.

06/29/2015

North Carolina  
Motor Vehicle Dept.  
Cary, NC  
Title #77125913301331N

**Registration issued or renewed**  
- Loan or lien reported

07/31/2015      25,480

Fred Anderson Toyota  
Raleigh, NC  
919-787-0099  
fredandersontoyota.com



**Vehicle serviced**  
- 25,000 mile service performed  
- Vehicle washed/detailed  
- Oil and filter changed

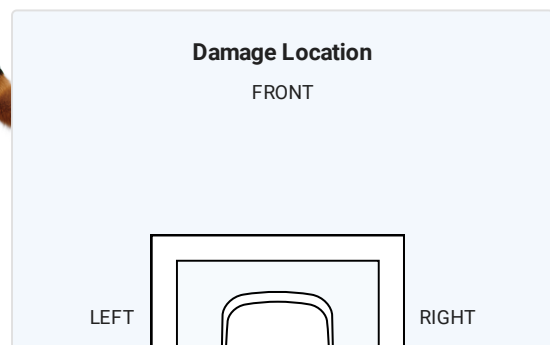
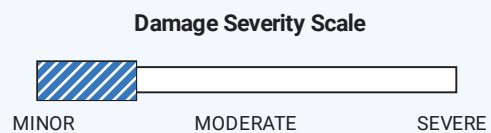
★ **4.5 / 5.0**  
543 Verified Reviews  
♥ **90** Customer Favorites

01/22/2016

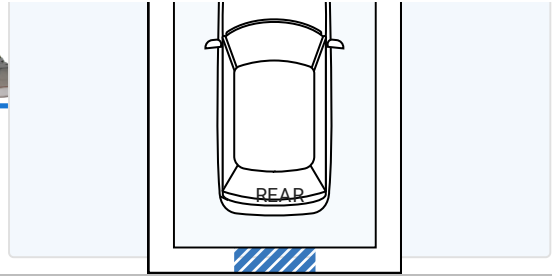
Damage Report



**Damage reported: minor damage**  
- Damage to rear



**CARFAX HAS THE MOST ACCIDENT & DAMAGE INFORMATION**



05/04/2016

34,971

Fred Anderson Toyota  
Raleigh, NC  
919-787-0099  
<https://fredandersontoyota.com>



**Vehicle serviced**

★ 4.5 / 5.0

543 Verified Reviews

♥ 90 Customer Favorites

05/29/2016

North Carolina  
Motor Vehicle Dept.  
Cary, NC  
Title #77125913301331N

**Registration issued or renewed**

- Loan or lien reported
- Registration updated when owner moved the vehicle to a new location

09/13/2016

Damage Report

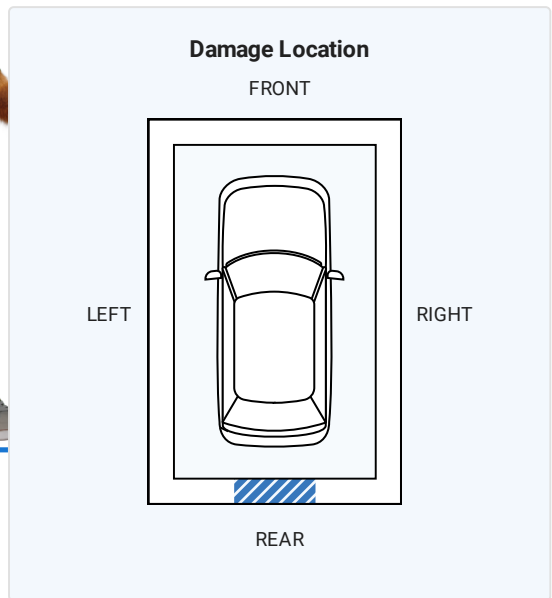
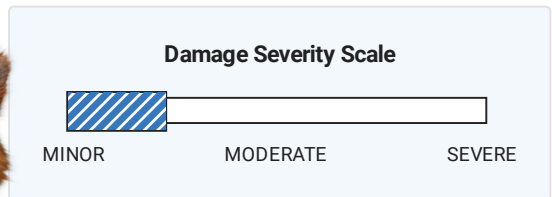


**Damage reported: minor damage**

- Damage to rear



**CARFAX HAS THE MOST ACCIDENT & DAMAGE INFORMATION**



05/27/2017

North Carolina  
Motor Vehicle Dept.  
Cary, NC  
Title #77125913301331N

**Registration issued or renewed**

- Loan or lien reported

07/17/2017

North Carolina  
Motor Vehicle Dept.  
Cary, NC  
Title #77125913301331N

**Registration issued or renewed**

- Loan or lien reported

03/09/2018 61,920 Fred Anderson Toyota  
 Raleigh, NC  
 919-787-0099  
<https://fredandersontoyota.com>  
 ★ 4.5 / 5.0  
 543 Verified Reviews  
 ❤️ 90 Customer Favorites



- Vehicle serviced**
- 60,000 mile service performed
  - Floor mat(s) checked
  - Tires rotated
  - Transmission checked
  - Steering/suspension checked
  - Brakes checked
  - Drive belts checked
  - Driveshaft checked
  - Antifreeze/coolant checked
  - Exhaust system checked
  - Fuel system checked
  - Cooling system checked
  - Radiator checked
  - Fluids checked
  - Air filter replaced
  - Oil and filter changed
  - Maintenance reminder reset


05/14/2018 65,533 Fred Anderson Toyota  
 Raleigh, NC  
 919-787-0099  
<https://fredandersontoyota.com>  
 ★ 4.5 / 5.0  
 543 Verified Reviews  
 ❤️ 90 Customer Favorites



- Vehicle serviced**
- Vehicle washed/detailed
  - Emissions inspection performed

05/31/2018 North Carolina  
 Motor Vehicle Dept.  
 Cary, NC  
 Title #77125913301331N


- Registration issued or renewed**
- Loan or lien reported

 **Owner 2**  
 Purchased: 2018



**Low mileage!** This owner drove less than the industry average of 15,000 miles per year.

Personal Vehicle  
 10,897 mi/yr

Date	Mileage	Source	Comments
10/23/2018	72,402	Minnesota Motor Vehicle Dept.	<b>Vehicle purchase reported</b>
12/08/2018		Minnesota Motor Vehicle Dept. South Saint Paul, MN	<b>Title or registration issued</b> - New owner reported - Loan or lien reported - Vehicle color noted as White
09/29/2019		Minnesota Motor Vehicle Dept. South Saint Paul, MN	<b>Title or registration issued</b> - Loan or lien reported - Vehicle color noted as White
09/27/2020		Minnesota Motor Vehicle Dept. South Saint Paul, MN	<b>Title or registration issued</b> - Loan or lien reported - Vehicle color noted as White
01/29/2021	97,153	Inver Grove Toyota Inver Grove Heights, MN 651-455-6000 <a href="http://invergrovetoyota.com">invergrovetoyota.com</a>	 <b>Vehicle serviced</b> - Maintenance inspection completed - Floor mat(s) checked

★ 4.7 / 5.0  
 312 Verified Reviews  
 ❤️ 71 Customer Favorites

👤 **Owner 3**  
 Purchased: 2021

Personal Vehicle

Date	Mileage	Source	Comments
09/24/2021		Minnesota Motor Vehicle Dept. South Saint Paul, MN	<b>Registration issued or renewed</b> - New owner reported - Vehicle color noted as White

👤 **Owner 4**  
 Purchased: 2021



**Low mileage!** This owner drove less than the industry average of 15,000 miles per year.

Personal Vehicle  
 3,219 mi/yr

Date	Mileage	Source	Comments
10/11/2021		Minnesota Motor Vehicle Dept.	<b>Vehicle purchase reported</b>
10/12/2021		Minnesota Motor Vehicle Dept. Burnsville, MN Title #18561900-1	<b>Title issued or updated</b> - Registration issued or renewed - New owner reported - Vehicle color noted as White
11/16/2021	104,167	Precision Tune Auto Care Apple Valley, MN 952-432-2345 precisiontune.com ★ 4.7 / 5.0 130 Verified Reviews ❤️ 3,058 Customer Favorites	<b>Vehicle serviced</b> - Alignment performed - Front license plate bracket installed/replaced - Alignment checked - Tires rotated
08/26/2022		Minnesota Motor Vehicle Dept. Burnsville, MN Title #18561900-1	<b>Title issued or updated</b> - Registration issued or renewed - Vehicle color noted as White
08/11/2023	109,751	Burnsville Toyota Burnsville, MN 952-435-8200 burnsvilletoyota.com ★ 4.6 / 5.0 213 Verified Reviews ❤️ 238 Customer Favorites	<b>Vehicle offered for sale</b>
08/11/2023		Burnsville Toyota Burnsville, MN 952-435-8200 burnsvilletoyota.com ★ 4.6 / 5.0 213 Verified Reviews ❤️ 238 Customer Favorites	<b>Vehicle serviced</b> - Oil and filter changed



Looks like this dealer serviced the car in order to prepare it for sale. That's a good thing!

08/12/2023

Minnesota  
Motor Vehicle Dept.  
Burnsville, MN  
Title #18561900-1

#### Title issued or updated

- Registration issued or renewed  
- Vehicle color noted as White

08/14/2023

Burnsville Toyota  
Burnsville, MN  
952-435-8200  
burnsvilletoyota.com

#### Vehicle offered for sale

★ 4.6 / 5.0  
213 Verified Reviews  
♥ 238 Customer Favorites



## Glossary

### Accident Indicator

CARFAX receives information about accidents in all 50 states, the District of Columbia and Canada.

Not every accident is reported to CARFAX. As details about the accident become available, those additional details are added to the CARFAX Vehicle History Report. CARFAX recommends that you have this vehicle inspected by a qualified mechanic.

### Damage Indicator

Damage can be a result of many different types of events. Examples include contact with objects (other cars, trees, traffic signs, road debris, etc), vandalism, or weather-related events. Not every damage event is reported to CARFAX. As details about the damage event become available, those additional details are added to the CARFAX Vehicle History Report. CARFAX recommends that you have this vehicle inspected by a qualified mechanic.

### Damage Severity

Damage events result in one of the following severity levels:

- **Minor:** Generally, minor damage is cosmetic (including dents or scratches), may only require reconditioning, and typically does not compromise a vehicle's operation and/or safety.
- **Moderate:** Moderate damage may affect multiple components of the vehicle and may impair the vehicle's operation and/or safety.
- **Severe:** Severe damage usually affects multiple components of the vehicle and is likely to compromise the vehicle's operation and/or safety.

CARFAX recommends getting a pre-purchase inspection at a certified collision repair facility.

### First Owner

When the first owner(s) obtains a title from a Department of Motor Vehicles as proof of ownership.

### New Owner Reported

When a vehicle is sold to a new owner, the Title must be transferred to the new owner(s) at a Department of Motor Vehicles.

### Ownership History

CARFAX defines an owner as an individual or business that possesses and uses a vehicle. Not all title transactions represent changes in ownership. To provide estimated number of owners, CARFAX proprietary technology analyzes all the events in a vehicle history. Estimated ownership is available for vehicles manufactured after 1991 and titled solely in the US including Puerto Rico. Dealers sometimes opt to take ownership of a vehicle and are required to in the following states: Maine, Massachusetts, New Jersey, Ohio, Oklahoma, Pennsylvania and South Dakota. Please consider this as you review a vehicle's estimated ownership history.

### Title Issued

A state issues a title to provide a vehicle owner with proof of ownership. Each title has a unique number. Each title or registration record on a CARFAX report does not necessarily indicate a change in ownership. In Canada, a registration and bill of sale are used as proof of ownership.

### Toyota Recall / Service Campaign

Portions of this report have been included under license from Toyota Motor North America, Inc. ("TOYOTA"), License Agreement TMS1013. This data applies only to vehicle marketed or originally sold in Mexico and the United States of America, including

Guam, Saipan, American Samoa, Puerto Rico, the U.S. Virgin Islands and the other United States territories and protectorates with currently open safety or emissions recalls, or service campaigns. While TOYOTA provides data to Carfax Inc. on a regular basis, this report may not include very recent activity. For the manufacturer's most current information on recall/campaign activity for any Toyota, Lexus or Scion brand vehicle, you must go to <http://toyota.com/recall> or <http://lexus.com/recall>.