



Vehicle History Report™

US \$39.99

2009 AUDI A4 2.0T AVANT PREMIUM PLUS

VIN: WAUGF78K39A141161
WAGON 4 DR
2.0L I4 F DOHC 16V
GASOLINE
ALL WHEEL DRIVE

Accident reported

24 Service history records

3 Previous owners

Types of owners: Corporate, Personal

Last owned in Minnesota

106,294 Last reported odometer reading

This CARFAX Vehicle History Report is based only on information supplied to CARFAX and available as of 3/23/23 at 6:18:26 PM (CDT). Other information about this vehicle, including problems, may not have been reported to CARFAX. Use this report as one important tool, along with a vehicle inspection and test drive, to make a better decision about your next used car.



Ownership History

The number of owners is estimated

	Owner 1	Owner 2	Owner 3
Year purchased	2008	2014	2017
Type of owner	Corporate	Personal	Personal
Estimated length of ownership	5 yrs. 3 mo.	3 yrs. 5 mo.	5 yrs. 6 mo.
Owned in the following states/provinces	Minnesota	Minnesota	Minnesota
Estimated miles driven per year	7,483/yr	8,047/yr	7,571/yr
Last reported odometer reading	33,739	64,804	106,294



Title History

CARFAX guarantees the information in this section

	Owner 1	Owner 2	Owner 3
Damage Brands Salvage Junk Rebuilt Fire Flood Hail Lemon	<input checked="" type="checkbox"/> Guaranteed No Problem	<input checked="" type="checkbox"/> Guaranteed No Problem	<input checked="" type="checkbox"/> Guaranteed No Problem
Odometer Brands Not Actual Mileage Exceeds Mechanical Limits	<input checked="" type="checkbox"/> Guaranteed No Problem	<input checked="" type="checkbox"/> Guaranteed No Problem	<input checked="" type="checkbox"/> Guaranteed No Problem



GUARANTEED - None of these major title problems were reported by a state Department of Motor Vehicles (DMV). If you find that any of these title problems were reported by a DMV and not included in this report, CARFAX will buy this vehicle back. [View Terms](#) | [View Certificate](#)



Additional History

Owner 1

Owner 2

Owner 3

Not all accidents / issues are reported to CARFAX

Total Loss No total loss reported to CARFAX.	<input checked="" type="checkbox"/> No Issues Reported	<input checked="" type="checkbox"/> No Issues Reported	<input checked="" type="checkbox"/> No Issues Reported
Structural Damage CARFAX recommends that you have this vehicle inspected by a collision repair specialist.	<input checked="" type="checkbox"/> No Issues Reported	<input checked="" type="checkbox"/> No Issues Reported	<input checked="" type="checkbox"/> No Issues Reported
Airbag Deployment No airbag deployment reported to CARFAX.	<input checked="" type="checkbox"/> No Issues Reported	<input checked="" type="checkbox"/> No Issues Reported	<input checked="" type="checkbox"/> No Issues Reported
Odometer Check No indication of an odometer rollback.	<input checked="" type="checkbox"/> No Issues Indicated	<input checked="" type="checkbox"/> No Issues Indicated	<input checked="" type="checkbox"/> No Issues Indicated
Accident / Damage Accident reported: 05/07/2009. Damage reported: 11/22/2016.	Accident Reported	Damage Reported	No New Issues Reported
Manufacturer Recall No open recalls reported to CARFAX.	<input checked="" type="checkbox"/> No Recalls Reported	<input checked="" type="checkbox"/> No Recalls Reported	<input checked="" type="checkbox"/> No Recalls Reported
Basic Warranty Original warranty estimated to have expired.	Warranty Expired	Warranty Expired	Warranty Expired



Detailed History



Owner 1

Purchased: 2008



Low mileage! This owner drove less than the industry average of 15,000 miles per year.

Corporate Vehicle
7,483 mi/yr

Date	Mileage	Source	Comments
Not Reported		NICB	Vehicle manufactured and shipped to original dealer
11/17/2008		Maplewood Audi Maplewood, MN 651-494-1337 maplewoodaudi.com	Vehicle offered for sale
11/20/2008	6	Maplewood Audi Maplewood, MN 651-494-1337 maplewoodaudi.com	Vehicle serviced - Pre-delivery inspection completed - Vehicle washed/detailed
11/20/2008	10	Minnesota Motor Vehicle Dept.	Vehicle purchase reported - Titled or registered as corporate vehicle
12/10/2008	2,077	Maplewood Audi Maplewood, MN 651-494-1337 maplewoodaudi.com	Vehicle serviced - Front end mask installed
01/09/2009		Minnesota Motor Vehicle Dept.	Title or registration issued - First owner reported

Saint Paul, MN
Title #J0090Y386

- Loan or lien reported
- Vehicle color noted as Blue

02/24/2009 5,436

Maplewood Audi
Maplewood, MN
651-494-1337
maplewoodaudi.com



Vehicle serviced
- 5,000 mile service performed

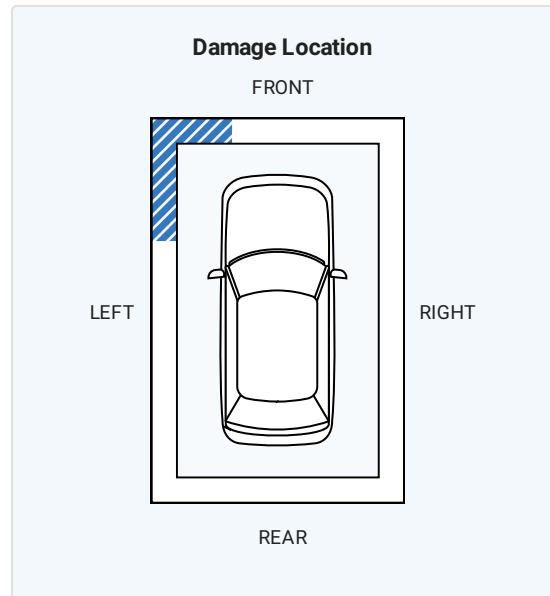
05/07/2009

Damage Report



Accident reported with another motor vehicle
- Damage to left front
- Vehicle towed

**CARFAX HAS THE MOST
ACCIDENT & DAMAGE
INFORMATION**



06/23/2009 8,541

Maplewood Audi
Maplewood, MN
651-494-1337
maplewoodaudi.com



Vehicle serviced

08/05/2009 9,409

Maplewood Audi
Maplewood, MN
651-494-1337
maplewoodaudi.com



Vehicle serviced

08/26/2009 9,648

Maplewood Audi
Maplewood, MN
651-494-1337
maplewoodaudi.com



Vehicle serviced

10/06/2009

Minnesota
Motor Vehicle Dept.
Saint Paul, MN
Title #J0090Y386

Registration issued or renewed
- Vehicle color noted as Blue

10/20/2009 11,115

Maplewood Audi
Maplewood, MN
651-494-1337
maplewoodaudi.com



Vehicle serviced
- Glass protection applied

03/30/2010 13,785

Maplewood Audi
Maplewood, MN
651-494-1337
maplewoodaudi.com



Vehicle serviced
- Maintenance inspection completed
- 15,000 mile service performed
Headlights adjusted

- Vehicle washed/detailed
- Fluids checked

10/01/2010

Minnesota
Motor Vehicle Dept.
Saint Paul, MN
Title #J0090Y386

Registration issued or renewed
- Vehicle color noted as Blue

12/15/2010

19,342

Audi of St. Paul
Maplewood, MN
651-494-1400
audistpaul.com
★ 4.3 / 5.0
7 Verified Reviews



Vehicle serviced
- Brake fluid flushed/changed
- Four wheel alignment performed
- Tires rotated

05/03/2011

21,075

Audi of St. Paul
Maplewood, MN
651-494-1400
audistpaul.com
★ 4.3 / 5.0
7 Verified Reviews



Vehicle serviced
- Maintenance inspection completed
- 25,000 mile service performed
- Vehicle washed/detailed
- Sunroof serviced

10/12/2011

Minnesota
Motor Vehicle Dept.
Saint Paul, MN
Title #J0090Y386

Registration issued or renewed
- Loan or lien reported
- Vehicle color noted as Blue

02/14/2012

27,131

Audi of St. Paul
Maplewood, MN
651-494-1400
audistpaul.com
★ 4.3 / 5.0
7 Verified Reviews



Vehicle serviced
- Maintenance inspection completed
- Camshaft adjuster solenoid replaced
- Vehicle washed/detailed

05/29/2012

28,422

Audi of St. Paul
Maplewood, MN
651-494-1400
audistpaul.com
★ 4.3 / 5.0
7 Verified Reviews



Vehicle serviced
- Maintenance inspection completed
- 35,000 mile service performed
- Vehicle washed/detailed

10/02/2012

Minnesota
Motor Vehicle Dept.
Saint Paul, MN
Title #J0090Y386

Registration issued or renewed
- Loan or lien reported
- Vehicle color noted as Blue

05/23/2013

33,739

Audi of St. Paul
Maplewood, MN
651-494-1400
audistpaul.com
★ 4.3 / 5.0
7 Verified Reviews



Vehicle serviced
- Maintenance inspection completed
- 45,000 mile service performed
- Vehicle washed/detailed

09/24/2013

Minnesota
Motor Vehicle Dept.
Saint Paul, MN
Title #J0090Y386

Registration issued or renewed
- Loan or lien reported
- Vehicle color noted as Blue

Owner 2






Personal Vehicle

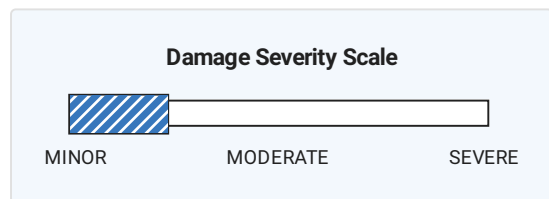
Purchased: 2014



Low mileage! This owner drove less than the industry average of 15,000 miles per year.

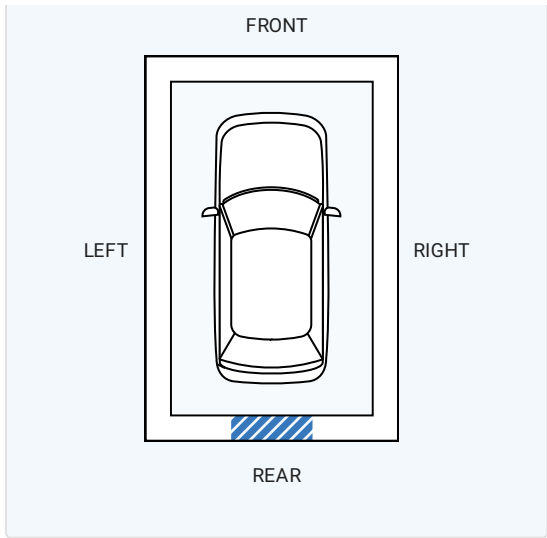
8,047 mi/yr


Date	Mileage	Source	Comments
03/19/2014	37,000	Minnesota Motor Vehicle Dept. Saint Paul, MN	Odometer reading reported
04/16/2014		Minnesota Motor Vehicle Dept. Saint Paul, MN Title #G106B0726	Title issued or updated - New owner reported - Vehicle color noted as Blue
09/09/2014		Minnesota Motor Vehicle Dept. Saint Paul, MN Title #G106B0726	Registration issued or renewed - Vehicle color noted as Blue
07/07/2015	43,217	Euro Auto Works Saint Paul, MN 651-264-1280 euroautoworksmn.com ★ 4.8 / 5.0 41 Verified Reviews ❤️ 19 Customer Favorites	 Vehicle serviced - Maintenance inspection completed - Brakes checked - Oil and filter changed - Brakes serviced - Brake fluid flushed/changed - Drivability/performance checked
09/22/2015		Minnesota Motor Vehicle Dept. Saint Paul, MN Title #G106B0726	Registration issued or renewed - Vehicle color noted as Blue
04/13/2016	50,576	Euro Auto Works Saint Paul, MN 651-264-1280 euroautoworksmn.com ★ 4.8 / 5.0 41 Verified Reviews ❤️ 19 Customer Favorites	 Vehicle serviced - Maintenance inspection completed - Oil and filter changed
09/21/2016		Minnesota Motor Vehicle Dept. Minneapolis, MN Title #G106B0726	Registration issued or renewed - Registration updated when owner moved the vehicle to a new location - Vehicle color noted as Blue
11/22/2016		Damage Report	 Damage reported: minor damage - Damage to rear This incident was first available for display by CARFAX on 04/04/2018.




Damage Location

CARFAX HAS THE MOST ACCIDENT & DAMAGE INFORMATION




02/09/2017		Minnesota Motor Vehicle Dept. Minneapolis, MN Title #G106B0726	Registration issued or renewed - Vehicle color noted as Blue
08/31/2017	64,804	Buerkle Honda Saint Paul, MN 651-490-6699 buerklehonda.com ★ 4.5 / 5.0 232 Verified Reviews ❤️ 1,019 Customer Favorites	 Vehicle serviced - Pre-delivery inspection completed - Oil and filter changed - Vehicle washed/detailed
09/02/2017		Buerkle Honda Hyundai Saint Paul, MN 888-408-0947 buerklehonda.com ★ 4.5 / 5.0 232 Verified Reviews ❤️ 1,019 Customer Favorites	Vehicle offered for sale



Owner 3
Purchased: 2017

Low mileage! This owner drove less than the industry average of 15,000 miles per year.

Personal Vehicle
7,571 mi/yr

Date	Mileage	Source	Comments
09/16/2017	64,932	Minnesota Motor Vehicle Dept.	Vehicle purchase reported
11/04/2017		Minnesota Motor Vehicle Dept. Saint Paul, MN	Title or registration issued - New owner reported - Vehicle color noted as Blue
01/09/2018		Minnesota Motor Vehicle Dept. Saint Paul, MN Title #00Q3BP3-1	Title or registration issued - Vehicle color noted as Blue
10/30/2018	72,357	All Imports & Domestic Auto Saint Paul, MN	 Vehicle serviced - Exhaust repaired

651-688-6898
allimportsanddomestic.com

★ 4.8 / 5.0

40 Verified Reviews

♥ 15 Customer Favorites

03/20/2019 75,118

All Imports & Domestic Auto
Saint Paul, MN
651-688-6898
allimportsanddomestic.com



Vehicle serviced

- Air filter replaced
- Oil and filter changed
- Cabin air filter replaced/cleaned

★ 4.8 / 5.0

40 Verified Reviews

♥ 15 Customer Favorites

10/01/2019

Minnesota
Motor Vehicle Dept.
Saint Paul, MN
Title #00Q3BP3-1

Title or registration issued

- Vehicle color noted as Blue

10/02/2020

Minnesota
Motor Vehicle Dept.
Saint Paul, MN
Title #00Q3BP3-1

Title or registration issued

- Vehicle color noted as Blue

10/08/2021

Minnesota
Motor Vehicle Dept.
Saint Paul, MN
Title #00Q3BP3-1

Title issued or updated

- Registration issued or renewed
- Vehicle color noted as Blue

11/04/2021 89,396

All Imports & Domestic Auto
Saint Paul, MN
651-688-6898
allimportsanddomestic.com



Vehicle serviced

- Rear brake pads replaced
- Oil and filter changed
- Rear shock absorber(s) replaced
- Rear spring(s) replaced
- Shock absorber(s) replaced
- Brake fluid flushed/changed
- Tire(s) replaced
- Brake pad sensor(s) replaced
- Front brakes replaced
- Four tires balanced
- Four tires mounted
- Front brake pads replaced
- Rear shock mount replaced
- Rear brake rotor(s) replaced
- Steering/suspension checked
- Rear brakes replaced

★ 4.8 / 5.0

40 Verified Reviews

♥ 15 Customer Favorites

10/03/2022

Minnesota
Motor Vehicle Dept.
Saint Paul, MN
Title #00Q3BP3-1

Title issued or updated

- Registration issued or renewed
- Vehicle color noted as Blue

01/13/2023 101,693

All Imports & Domestic Auto
Saint Paul, MN
651-688-6898
allimportsanddomestic.com







Vehicle serviced

- Spark plug(s) replaced
- Oil and filter changed

★ 4.8 / 5.0

40 Verified Reviews

♥ 15 Customer Favorites

02/12/2023	103,273	Autotek Auto Repair Greenwood Village, CO 303-290-9900 autotekautorepair.biz/ ★ 4.1 / 5.0 29 Verified Reviews ❤️ 27 Customer Favorites		Vehicle serviced
02/13/2023	103,774	Mercedes-Benz Audi Porsche of Albuquerque Albuquerque, NM 505-821-4000 mercedesabq.com ★ 4.6 / 5.0 518 Verified Reviews ❤️ 2,568 Customer Favorites		Vehicle serviced - Maintenance inspection completed - Vehicle washed/detailed
03/02/2023	106,293	Mercedes-Benz Audi Porsche of Albuquerque Albuquerque, NM 505-821-4000 mercedesabq.com ★ 4.6 / 5.0 518 Verified Reviews ❤️ 2,568 Customer Favorites		Vehicle serviced - Maintenance inspection completed - Vehicle washed/detailed
03/03/2023	106,294	Wittlers Hans Automotive NE Albuquerque, NM 505-294-7684 abaserv.qwestoffice.net/ ★ 5.0 / 5.0 6 Verified Reviews		Vehicle serviced - Cooling system serviced - Water pump replaced
03/14/2023		Minnesota Motor Vehicle Dept. Saint Paul, MN Title #00Q3BP3-1		Title issued or updated - Registration issued or renewed - Vehicle color noted as Blue

Have Questions? Consumers, please visit our Help Center at www.carfax.com. Dealers or Subscribers, please visit our Help Center at www.carfaxonline.com.

Glossary

Accident Indicator

CARFAX receives information about accidents in all 50 states, the District of Columbia and Canada.

Not every accident is reported to CARFAX. As details about the accident become available, those additional details are added to the CARFAX Vehicle History Report. CARFAX recommends that you have this vehicle inspected by a qualified mechanic.

- According to the National Safety Council, Injury Facts, 2021 edition, 5% of the 276 million registered vehicles in the U.S. were involved in an accident in 2019. Over 77% of these were considered minor or moderate.
- This CARFAX Vehicle History Report is based only on information supplied to CARFAX and available as of 3/23/23 at 6:18:26 PM (CDT). Other information about this vehicle, including problems, may not have been reported to CARFAX. Use this report as one important tool, along with a vehicle inspection and test drive, to make a better decision about your next used car.

Damage Indicator

Damage can be a result of many different types of events. Examples include contact with objects (other cars, trees, traffic signs, road debris, etc), vandalism, or weather-related events. Not every damage event is reported to CARFAX. As details about the damage event become available, those additional details are added to the CARFAX Vehicle History Report. CARFAX recommends that you have this vehicle inspected by a qualified mechanic.

- This CARFAX Vehicle History Report is based only on information supplied to CARFAX and available as of 3/23/23 at 6:18:26 PM (CDT). Other information about this vehicle, including problems, may not have been reported to CARFAX. Use this report as one important tool, along with a vehicle inspection and test drive, to make a better decision about your next used car.

Damage Severity

Damage events result in one of the following severity levels:

- Minor: Generally, minor damage is cosmetic (including dents or scratches), may only require reconditioning, and typically does not compromise a vehicle's operation and/or safety.
- Moderate: Moderate damage may affect multiple components of the vehicle and may impair the vehicle's operation and/or safety.
- Severe: Severe damage usually affects multiple components of the vehicle and is likely to compromise the vehicle's operation and/or safety.

CARFAX recommends getting a pre-purchase inspection at a certified collision repair facility.

First Owner

When the first owner(s) obtains a title from a Department of Motor Vehicles as proof of ownership.

New Owner Reported

When a vehicle is sold to a new owner, the Title must be transferred to the new owner(s) at a Department of Motor Vehicles.

Ownership History

CARFAX defines an owner as an individual or business that possesses and uses a vehicle. Not all title transactions represent changes in ownership. To provide estimated number of owners, CARFAX proprietary technology analyzes all the events in a vehicle history. Estimated ownership is available for vehicles manufactured after 1991 and titled solely in the US including Puerto Rico. Dealers sometimes opt to take ownership of a vehicle and are required to in the following states: Maine, Massachusetts, New Jersey, Ohio, Oklahoma, Pennsylvania and South Dakota. Please consider this as you review a vehicle's estimated ownership history.

Title Issued

A state issues a title to provide a vehicle owner with proof of ownership. Each title has a unique number. Each title or registration record on a CARFAX report does not necessarily indicate a change in ownership. In Canada, a registration and bill of sale are used as proof of ownership.

Follow Us:  facebook.com/CARFAX  [@CARFAXinc](https://twitter.com/CARFAXinc)  [About CARFAX](#)

CARFAX DEPENDS ON ITS SOURCES FOR THE ACCURACY AND RELIABILITY OF ITS INFORMATION. THEREFORE, NO RESPONSIBILITY IS ASSUMED BY CARFAX OR ITS AGENTS FOR ERRORS OR OMISSIONS IN THIS REPORT. CARFAX FURTHER EXPRESSLY DISCLAIMS ALL WARRANTIES, EXPRESS OR IMPLIED, INCLUDING ANY IMPLIED WARRANTIES OF MERCHANTABILITY OR FITNESS FOR A PARTICULAR PURPOSE.

© 2023 CARFAX, Inc., part of S&P Global. All rights reserved.
3/23/23 6:18:26 PM (CDT)

I have reviewed and received a copy of the CARFAX Vehicle History Report for this 2009 AUDI A4 vehicle (VIN: WAUGF78K39A141161), which is based on information supplied to CARFAX and available as of 3/23/23 at 7:18 PM (EDT).

Customer Signature

Date

Dealer Signature

Date